



PARTS CATALOGUE



CLASSIC LEGENDS

INDEX

INSTRUCTION

PAGE: A TO B

BLOCK INDEX

PAGE: C TO D : ENGINE GROUP

PAGE: E TO H : FRAME GROUP

ENGINE GROUP

PAGE: 01 TO 34

FRAME GROUP

PAGE: 35 TO 98

PART NUMBER INDEX

PAGE: -- TO --

INSTRUCTION FOR USE OF SPARE PARTS CATALOGUE

This parts catalogue is compiled of all service items of **JAWA CLASSIC**. Incorporates parts changes introduced upto Date

How to order parts

1. Always specify the part numbers when ordering a part.
2. Always check the models, type, serial numbers, color, make and the size as needed before placing the order of parts.
3. Required quantity to be specified.

Revision in part numbers

New parts are introduced when old parts are deleted & or when when modification are incorporated in parts or part assembly. Such changes are notified by change of parts numbers.

The information regarding change of part numbers is informed through parts news, which you are requested to note & update into your "Parts Catalogue" & in your "Price List" also with effective date of introduction.

This updation into "Part Catalogue" & "Price List" will help you in procurement / stocking / billing & in turn will give better service to the customer.

How to refer with the part information

Reference with "Illustrated Index"

Reference with "Part Number Index",

How to use the Flat Rate Time (F.R.T.)

This F.R.T. (Flat Rate Time) is used to determine the standard labour time allowed for replacement of parts covered by the warranty during the period of warranty is in effect. The F.R.T. for those parts, that are not listed herein, should be determined from the operation closely related to the replacement of the part.

1.The F.R.T. is based on the following servicing conditions

- a) A liberal allowance is added to the net servicing time.
- b) Standard time specified are based on the conditions that the usgae of necessary servicing tools listed in the service manual & the work performed by a technician with normal skill.
- c) Time required for inspection & operational test following the servicing is included in the F.R.T.

2. Methods of computing

The job time are listed in tenth of hour to simplify complication

Examples: 1) 0.3 = 18 minutes

2) 5.1 = 5 hour & 6 minutes

CONVERSION CHART			
HOUR	MINUTES	HOUR	MINUTES
0.1	6	0.6	36
0.2	12	0.7	42
0.3	18	0.8	48
0.4	24	0.9	54
0.5	30	1.0	60

3. Computing the F.R.T.

Following are the examples when several jobs are performed at the same time. Make the calculations in the following manner

a) Jobs of non-duplicated nature.

The F.R.T. for the job is obtained by totaling the F.R.T. for each part replaced.

Example: 1. Replacement of Clutch Housing Assembly
2. Magneto Rotor

SERVICE ITEM	F.R.T.
CLUTCH HOUSING ASSY	1
MAGNETO ROTOR	0.3

F.R.T. for the Job is $1 + 0.3 = 1.3$

b) Jobs of duplicated nature.

Take the F.R.T. for the last part to be replaced

Example: Replacement of Crankshaft Assy & Cylinder Block

SERVICE ITEM	F.R.T.
CRANKSHAFT ASSEMBLY	4.2
CYLINDER BLOCK	3.4

F.R.T. for the Job is = 4.2

4. Operation Other than replacing parts

(1) Removal and Installation

No	Service Item	F.R.T.
1	ENGINE REMOVAL & INSTALLATION	2.5
2	CYLINDER HEAD ASSEMBLY (INCLUDE ENGINE REMOVAL & INSTALLATION)	3.0
3	THROTTLE BODY ASSEMBLY REMOVAL & INSTALLATION	1.0
4	CRANKCASE SEPARATION (INCLUDE ENGINE REMOVAL & INSTALLATION)	4.0
5	RADIATOR ASSEMBLY REMOVAL & INSTALLATION	1.0

(2) Adjustment

No	Service Item	F.R.T.
1	CLUTCH - ADJUSTMENT (INCLUDE CLUTCH LEVER ADJUSTMENT)	0.1
2	HEADLIGHT - AIMING	0.1
3	SPARK PLUG - ADJUSTMENT & CLEANING	0.6
4	DRIVE CHAIN - ADJUSTMENT	0.1
5	THROTTLE OPERATION - ADJUSTMENT	0.1
6	TAPPET - ADJUSTMENT	1.2
7	ENGINE OIL LEVEL INSPECTION, DRAIN & TOP UP	0.6

(3) Inspection & Measurement

No	Service Item	F.R.T.
1	COMPRESSION PRESSURE - MEASUREMENT	0.6
2	IGNITION TIMING - INSPECTION	0.5

(4) Other work

No	Service Item	F.R.T.
1	OIL STRAINER - CLEANING	0.6
2	CLEANER ELEMENT - CLEANING	0.3
3	FRONT BRAKE - AIR BLEEDING	0.3
4	REAR BRAKE ADJUSTMENT	0.1
5	RADIATOR COOLANT - CHANGE	0.5

Method of calculating Labour Charges

Labour charges rate: Rs 100/- per man hour

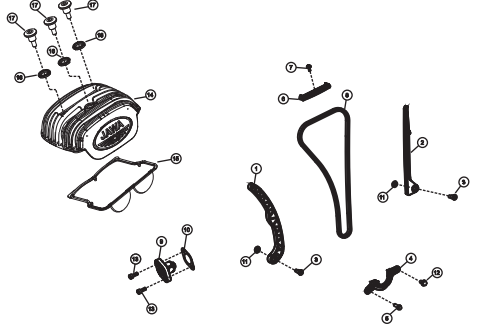
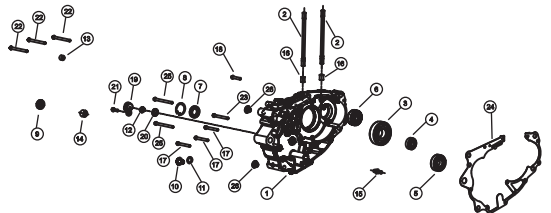
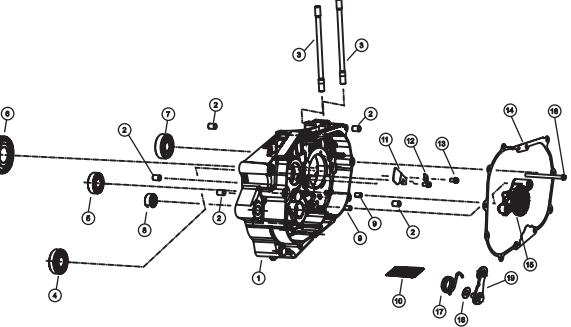
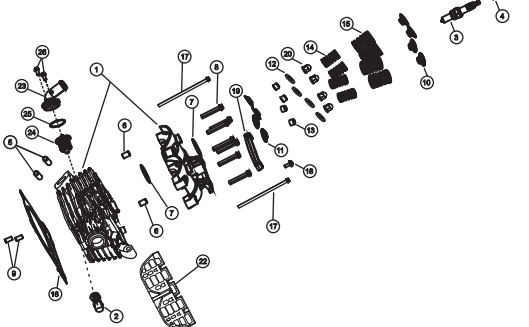
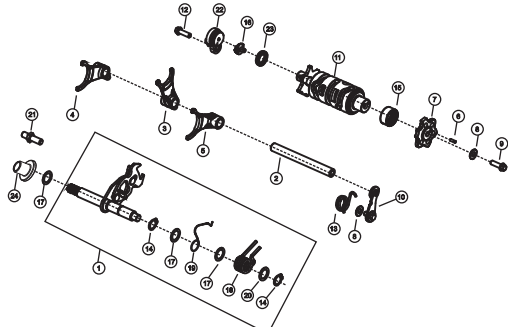
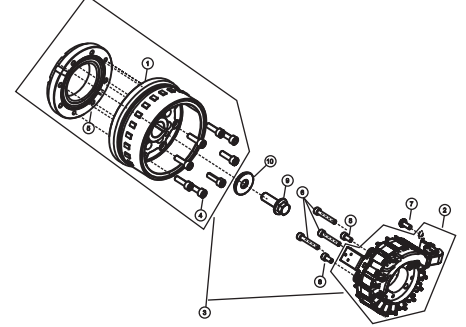
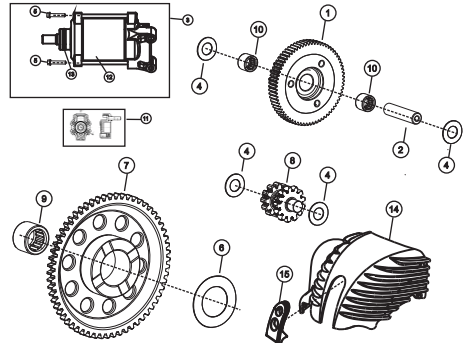
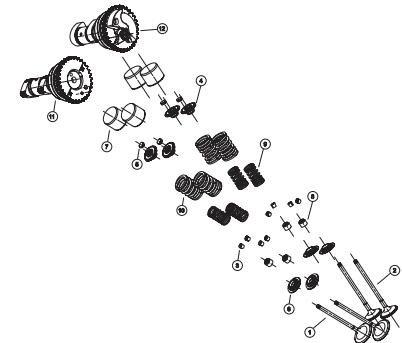
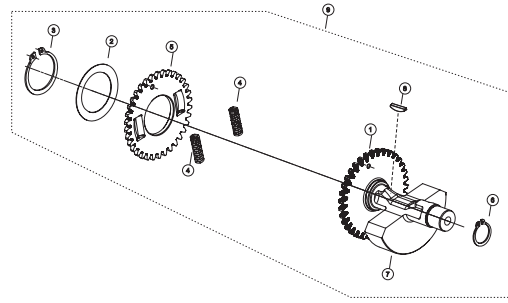
Example: Tappet Adjustment F.R.T. is 1.2

Labour charges = F.R.T. x Labour Rate

For all cities : $1.2 \times 100 = \text{Rs. } 120/-$

INDEX

ENGINE GROUP - 01

<p>CAMCHAIN AND TENSIONER & CYLINDER HEAD COVER</p>	<p>PAGE 01-02</p>	<p>CRANKCASE LH</p>	<p>PAGE 03-04</p>	<p>CRANKCASE RH</p>	<p>PAGE 05-06</p>
					
<p>CYLINDER HEAD EXPLOSION</p>	<p>PAGE 07-08</p>	<p>DRUM ASM & SHIFT SHAFT MECH CAMBINE</p>	<p>PAGE 09-10</p>	<p>MAGNETO ASSEMBLY</p>	<p>PAGE 11-12</p>
					
<p>STARTING SYSTEM & STARTER MOTOR</p>	<p>PAGE 13-14</p>	<p>VALVE TRAIN AND CAM SHAFT</p>	<p>PAGE 15-18</p>	<p>BALANCER SHAFT ASSEMBLY</p>	<p>PAGE 19-20</p>
					

INDEX

ENGINE GROUP - 02

TRANSMISSION SYSTEM

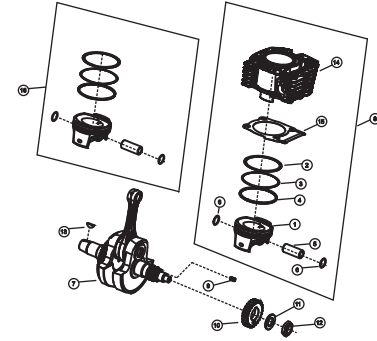
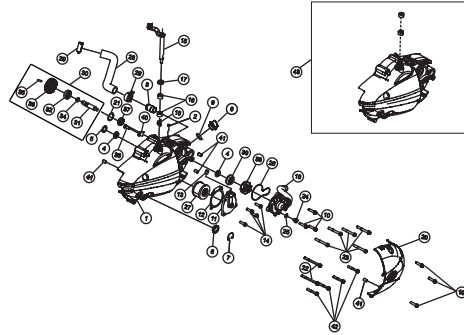
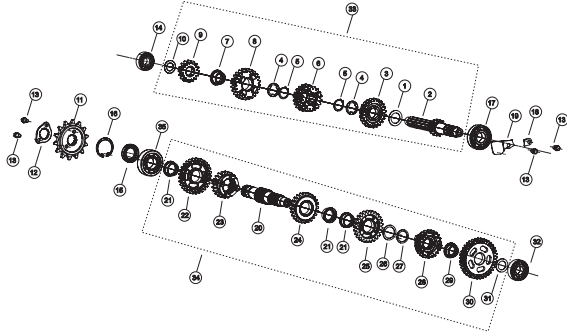
PAGE
21-24

R CRANKCASE COVER

PAGE
25-28

CRANKSHAFT AND PISTON

PAGE
29-30

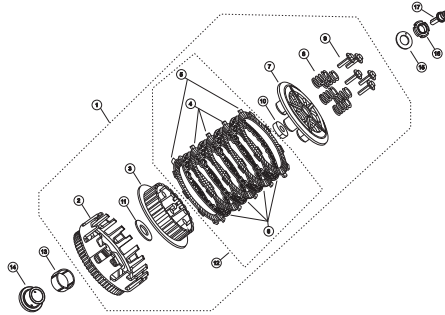
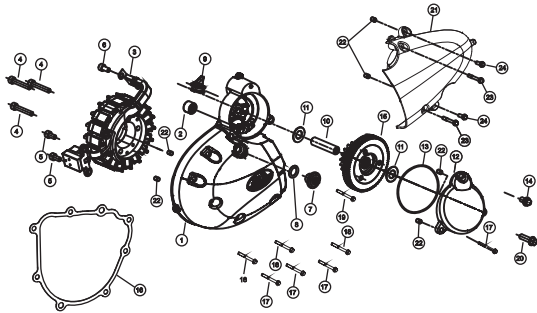


MAGNETO COVER LH

PAGE
31-32

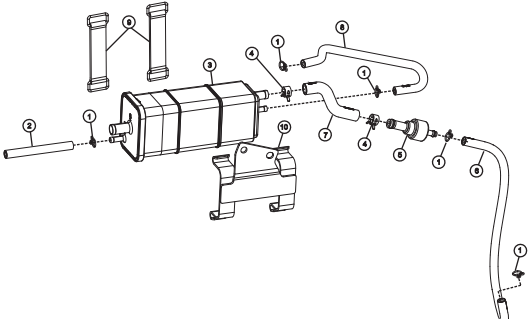
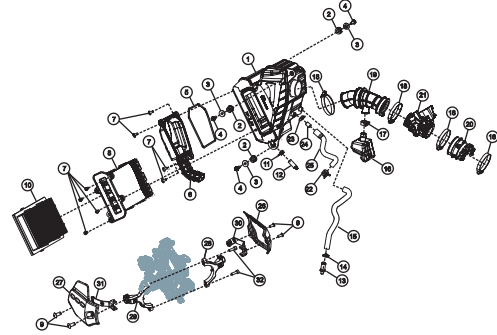
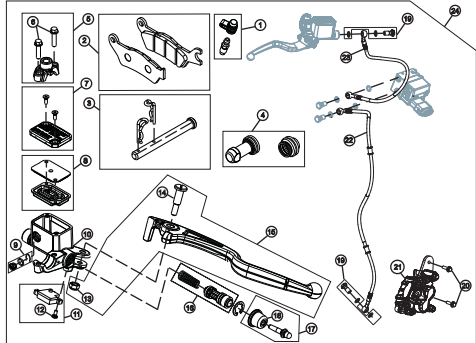
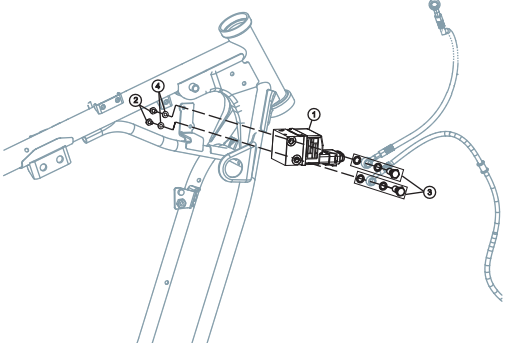
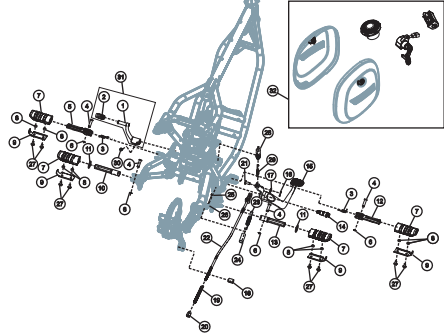
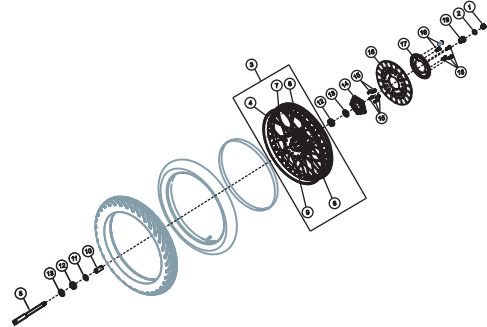
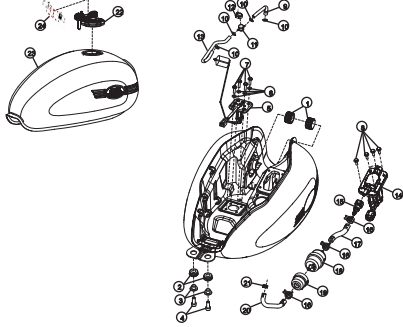
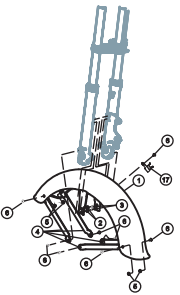
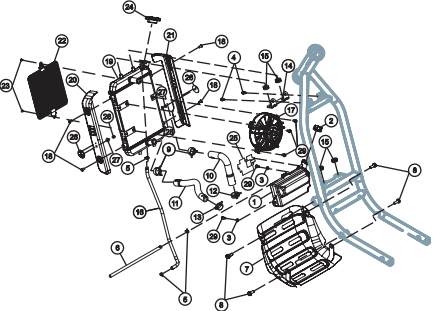
CLUTCH ASSEMBLY

PAGE
33-34



INDEX

FRAME GROUP - 01

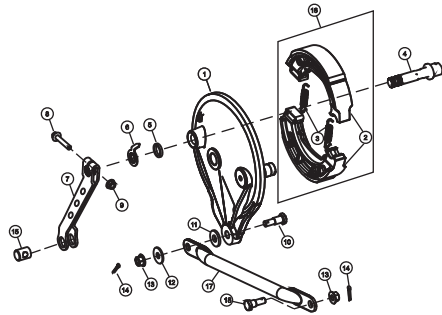
<p>EVAPORATIVE EMISSION SYSTEM</p>	<p>PAGE 35-36</p>	<p>AIR FILTER ASSEMBLY</p>	<p>PAGE 37-38</p>	<p>BRAKE SYSTEM FRONT (SINGLE CHANNEL ABS)</p>	<p>PAGE 39-40</p>			
			<p>ANTI-LOCK BRAKING SYSTEM SINGLE CHANNEL</p>	<p>PAGE 41-42</p>	<p>FOOT REST ASSEMBLY/ REAR BRAKE PEDAL/ GEAR SHIFT LEVER LOCK SET</p>	<p>PAGE 43-44</p>	<p>FRONT WHEEL ASSEMBLY</p>	<p>PAGE 45-46</p>
			<p>FUEL TANK ASSEMBLY</p>	<p>PAGE 47-48</p>	<p>MUDGUARD ASSEMBLY</p>	<p>PAGE 49-50</p>	<p>RADIATOR</p>	<p>PAGE 51-52</p>
								

INDEX

FRAME GROUP - 02

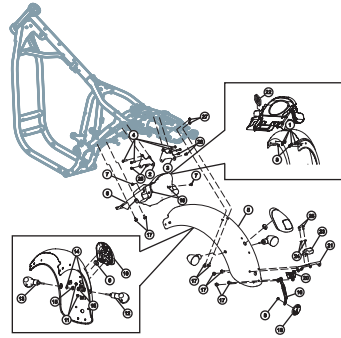
REAR BRAKE ASSEMBLY

PAGE
53-54



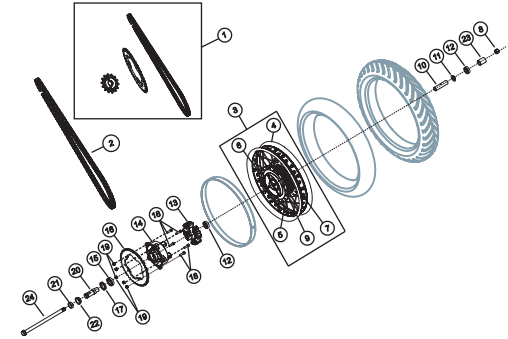
REAR FENDER ASSEMBLY

PAGE
55-56



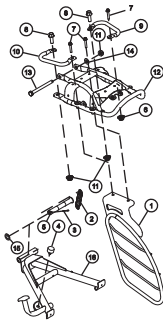
REAR WHEEL ASSEMBLY - SINGLE CHANNEL ABS

PAGE
57-58



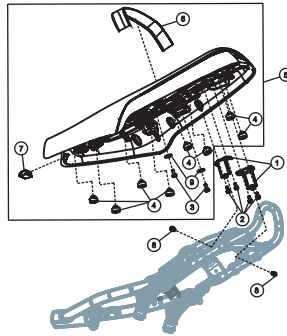
SIDE STAND / SUB - FRAME ASSY

PAGE
59-60



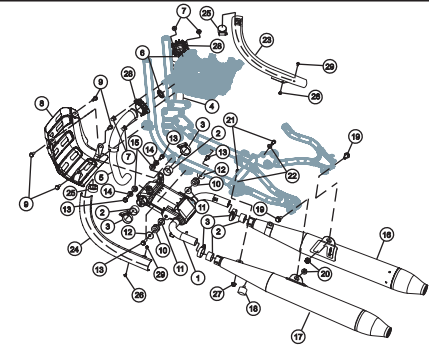
SEAT ASSEMBLY

PAGE
61-62



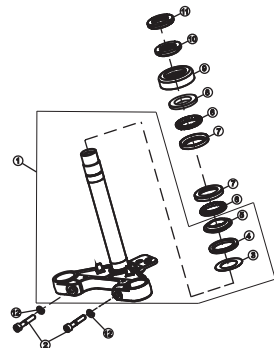
SILENCER ASSEMBLY

PAGE
63-64



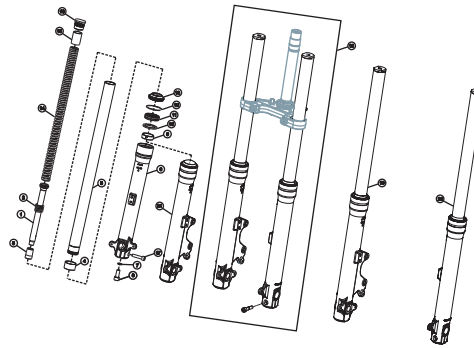
STEERING

PAGE
65-66



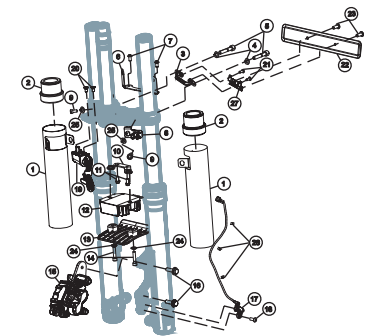
FRONT FORK ASSEMBLY

PAGE
67-68



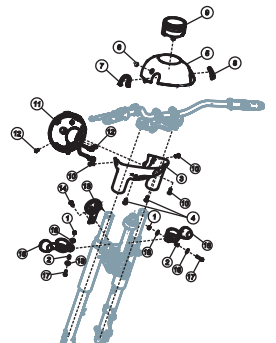
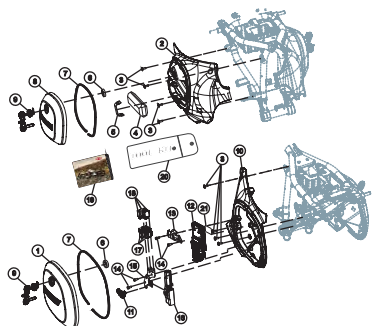
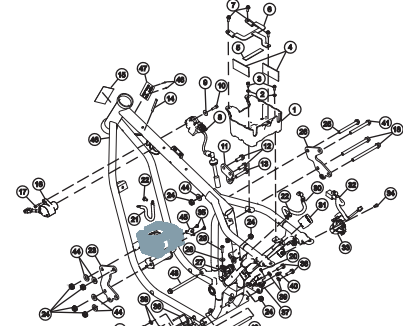
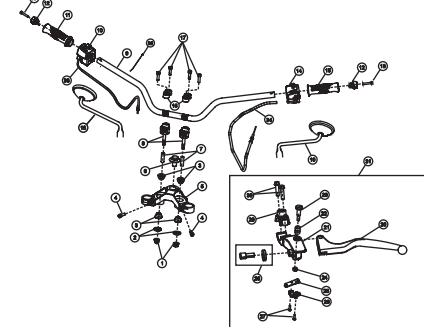
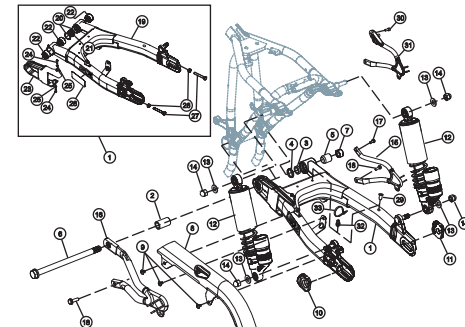
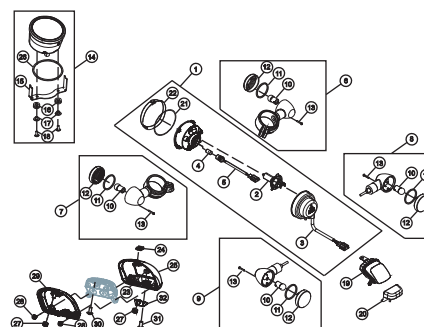
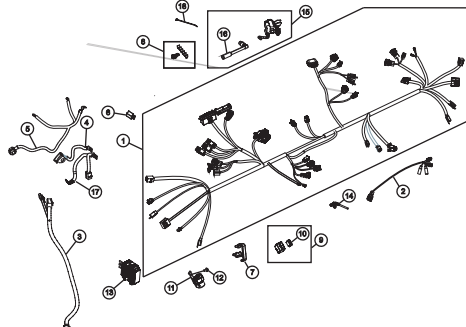
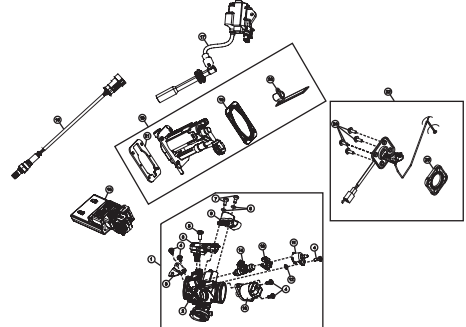
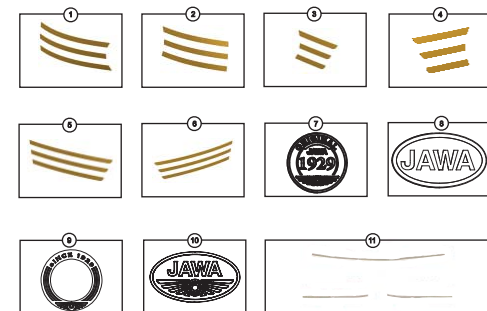
FRONT FORK MOUNTINGS

PAGE
69-70



INDEX

FRAME GROUP - 03

FAIRING ASSEMBLY	PAGE 71-72	SIDE PANEL LH & RH ASSY ECU & RELAY / FUSEBOX	PAGE 73-74	FRAME ASSEMBLY & FRAME MOUNTINGS	PAGE 75-78
					
HANDLE BAR ASSEMBLY	PAGE 79-80	SWING ARM ASSEMBLY AND REAR SHOCK ABSORBER	PAGE 81-84	HEADLAMP, TAIL LAMP, INDICATOR FRT & REAR, LICENSE PLATE LAMP & SPEEDOMETER ASSY	PAGE 85-86
					
WIRING HARNESS & BATTERY STARTER RELAY & RELAY CORDSET	PAGE 87-88	ELECTRONIC FUEL INJECTION (EFI) ASSEMBLY	PAGE 89-90	DECALS	PAGE 91-96
					

INDEX

FRAME GROUP - 04

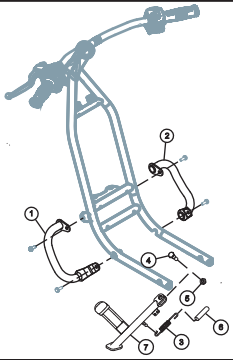
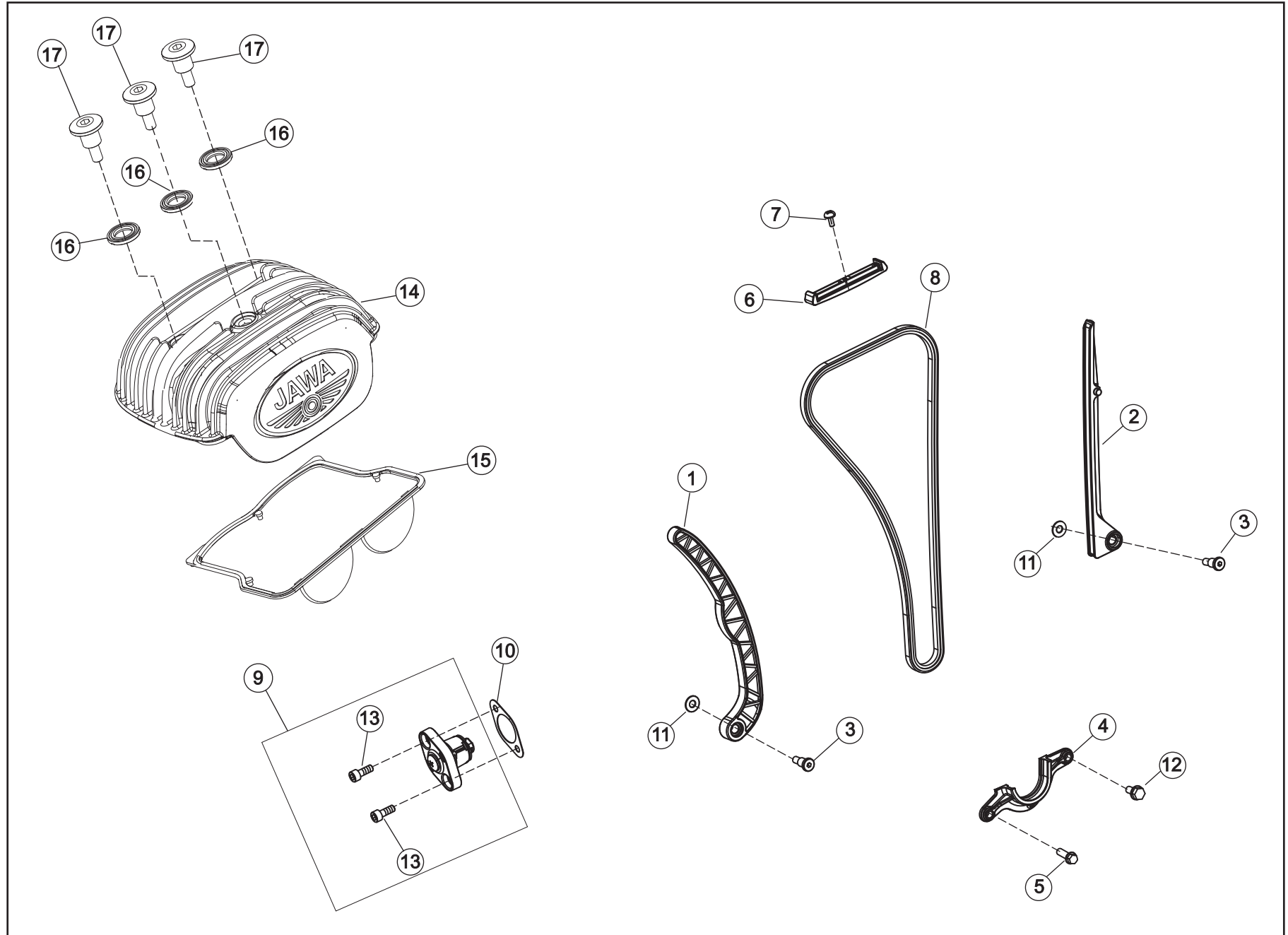
ACCESSORIES	PAGE 97-98		
			

ILLUSTRATION WITH PART NUMBERS

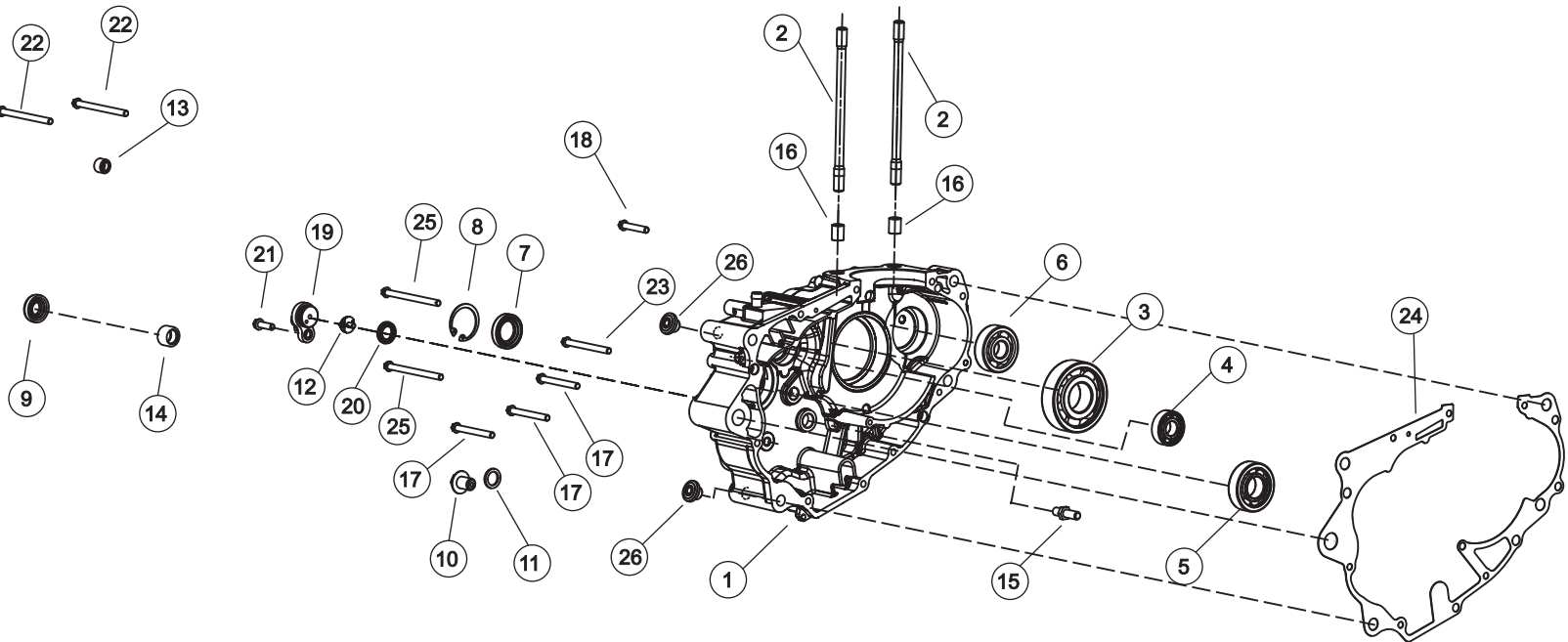
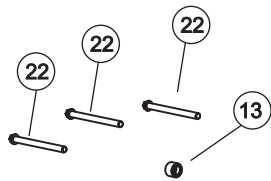
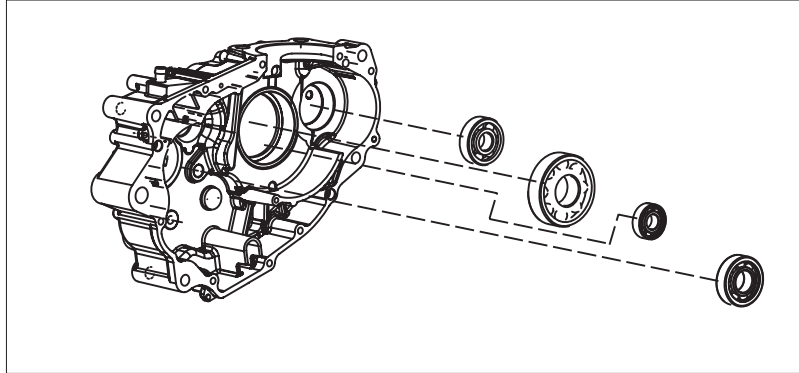
CAMCHAIN AND TENSIONER & CYLINDER HEAD COVER



CAMCHAIN AND TENSIONER & CYLINDER HEAD COVER

SR. NO.	PART NO.	PART DESCRIPTION	FRT	QTY	
1	T0202CUF0340N	GUIDE CHAIN SLACK SIDE	3.4	1	
2	T0202AUF0450N	GUIDE CHAIN TIGHT SIDE	4.1	1	
3	T0202CUF0810N	GUIDE CHAIN PIVOT BOLT	0.6	2	
4	T0202CUF0360N	GUIDE CHAIN WITH INSERT BOTTOM	0.9	1	
5	SP0906029	BOLT, HEX FLANGE SH - M6X20	0.8	1	
6	T0208AUF0640N	GUIDE CHAIN (TOP) WITH INSERT	0.5	1	
7	93500-04010-OH	PAN HEAD SCREW (M4*10)	0.5	1	
8	T0208BUF0390N	TIMING CHAIN	1.9	1	
9	T0208EVE0020N	ASM TENSIONER AND MTG BOLTS KIT	0.8	1	
10	T0208EUF0660N	GASKET, TENSIONER	0.2	1	
11	T18010UF0150N	WASHER, STAR DRUM BOLT (Ø6.4*Ø15*1)	4.1	2	
12	TSF0102282	BOLT, HEX FLANGE SH - M6X14	0.6	1	
13	90001-M9Q-0000-IK	SHF FLANGE BOLT 6*22	0.1	2	
14	T0202DVE0110N	COVER, CYLINDER HEAD	0.5	1	
15	T0209AVE0010N	GASKET/SEAL, COVER CYLINDER HEAD	0.6	1	
16	T18010UF0050N	RUBBER WASHER	0.6	3	
17	T02010VG0010N	CYL HEAD COVER SPECIAL BOLT	0.5	3	

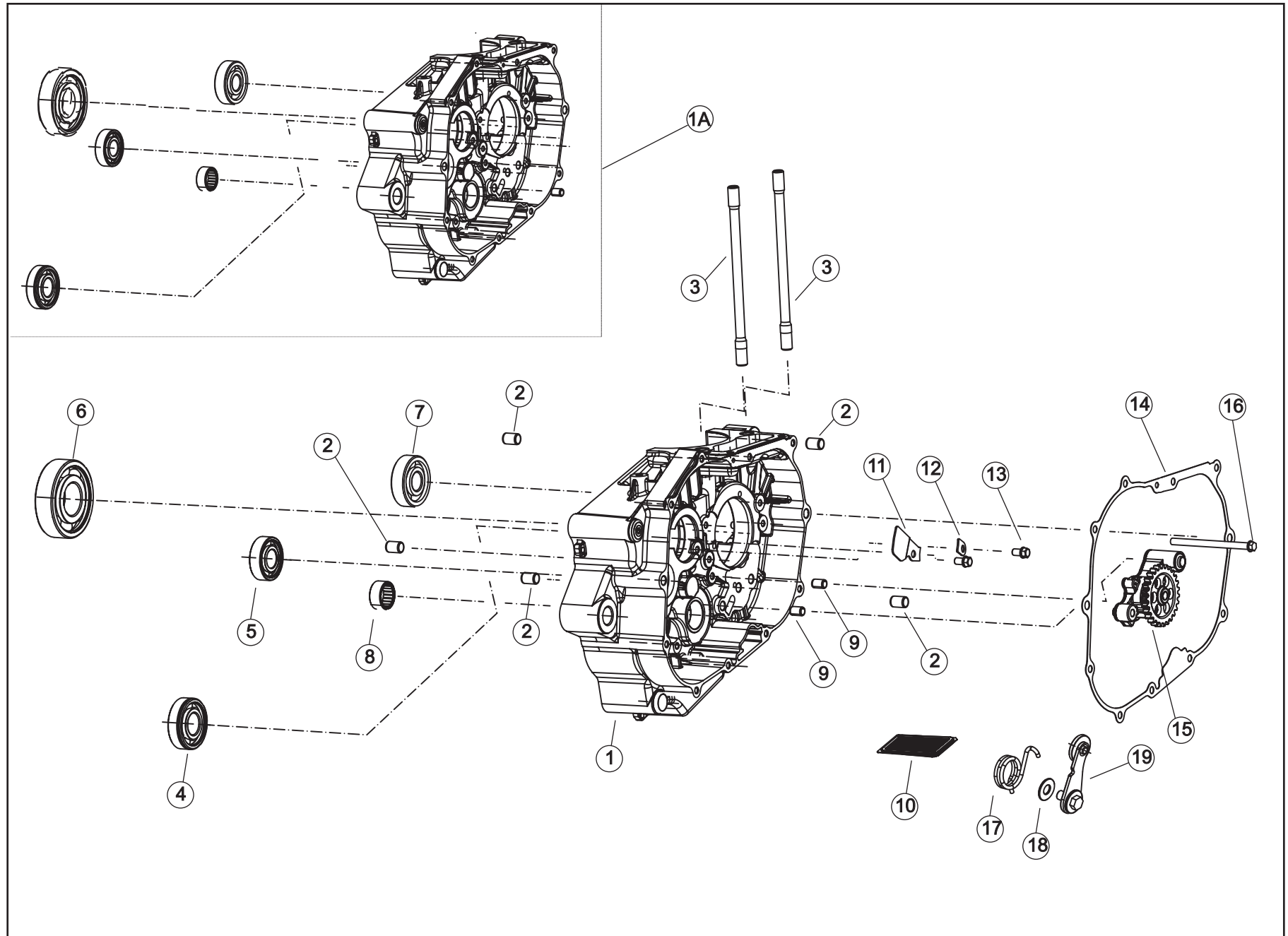
CRANKCASE LH



CRANKCASE LH

SR. NO.	PART NO.	PART DESCRIPTION	FRT	QTY	
1	T0202CVE0120N	CCLH WITH OIL PLUG & BREATHER PIPE	4.1	1	
2	T0202CUF0760N	STUD - M10	3.3	2	
3	T18050UF0180N	BEARING BALL CRANKSHAFT (DIA30*DIA72*19)	4	1	
4	T18050UF0130N	BEARING BALL INPUT (DIA15*DIA35*11)	4	1	
5	T18050UF0140N	BEARING BALL OUTPUT - ONE SIDE SEAL (DIA22*DIA50*14)	4	1	
6	T18050UF0320N	BEARING BALL BALANCER (6303.C3) (Ø17*Ø47*14)	4	1	
7	T18020UF0080N	OIL SEAL, OUTPUT SHAFT (DIA22*DIA34*7) FKM	4	1	
8	TSF0602039	INTERNAL CIRCLIP (Ø35*1.75)	4	1	
9	T18020UF0090N	OIL SEAL, LEVER SHIFT SHAFT (DIA14*DIA28*7) FKM	0.4	1	
10	T0202CUF2440N	BOLT, DRAIN MAGNETIC - M12X1.5	0.1	1	
11	MJ01700006100	WASHER -OIL DRAIN PLUG (DIA14.2*DIA20*2) (COMMON E01)	0.1	1	
12	T0217AUF0030N	SLIDING CONTACT NEUTRAL SWITCH	0.2	1	
13	T18050UF0160N	NEEDLE BRG STRATER INTERIM GEAR (DIA10*DIA14*10)	3.5	1	
14	T18050UF0310N	NEEDLE BRG (DIA14*DIA20*12) SHIFT SHAFT LH SIDE	4	1	
15	T0202CUF0780N	BOLT, SHIFTER STOPPER - M8X1.25	4	1	
16	T18070UF0030N	DOWEL PIN, HOLLOW DIA12*15	3.3	2	
17	SP0906043	BOLT, HEX FLANGE SH - M6X60	0.1	3	
18	TSF0102290	BOLT, HEX FLANGE SH - M6X35	0.1	1	
19	T0217AUF0010N	NEUTRAL SWITCH WITH O RING	0.2	1	
20	T18020UF0100N	OIL SEAL, NEUTRAL SWITCH	3.9	1	
21	SP0906029	BPLT, HEX FLANGE SH-M6X20	0.2	1	
22	TSF0102291	BOLT, HEX FLANGE SH - M6X75	0.1	3	
23	SP0906033	BOLT, HEX FLANGE SH - M6X65	0.1	1	
24	T02090VE0020N	GASKET, CRANKCASE	0.1	1	
25	SP0906034	BOLT, HEX FLANGE SH - M6X85	0.1	2	
26	T0202DVE0240N	GAUGE - INSPECTION COVER	0.1	1	
27	T0202CVE0130N	CRANK CASE LH KIT			

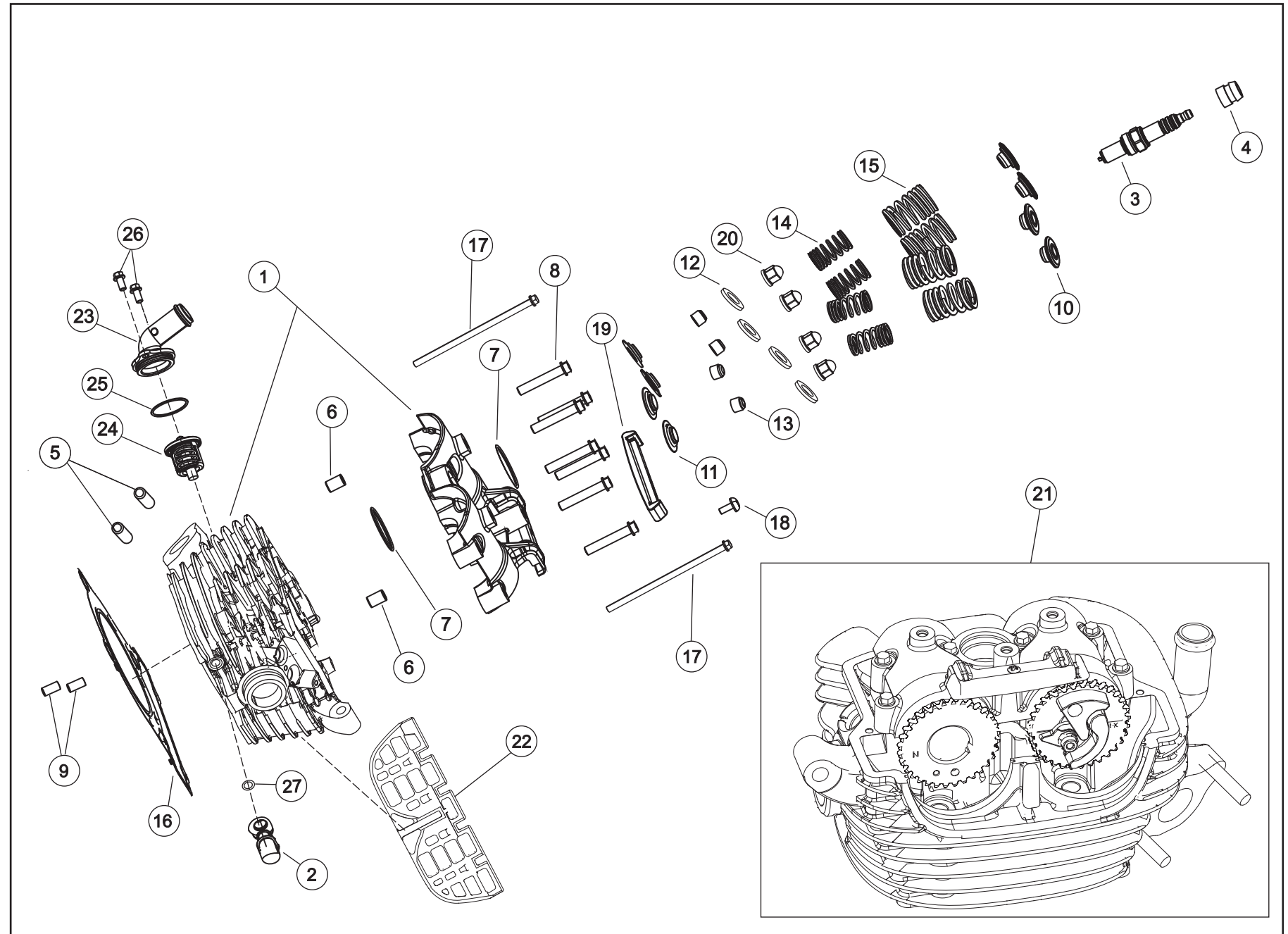
CRANKCASE RH



CRANKCASE RH

SR. NO.	PART NO.	PART DESCRIPTION	FRT	QTY
1	T0202CVE0010N	CRANKCASE RH	4.3	1
1A	T0202CVE0020N	CRANKCASE RH WITH BEARINGS	4.3	1
2	MJ01760000600	DOWEL PIN, HOLLOW DIA10*14 (COMMON WITH E01)	4.2	5
3	T0202CUF0760N	STUD - M10	3.3	2
4	T18050UF0280N	BEARING INPUT SHAFT (DIA20*DIA47*14)	4.2	1
5	T18050UF0170N	BEARING OUTPUT SHAFT (DIA17*DIA40*12)	4.2	1
6	T18050UF0180N	BEARING BALL CRANKSHAFT (DIA30*DIA72*19)	4.2	1
7	T18050UF0320N	BEARING BALL BALANCER (6303.C3) (Ø17*Ø47*14)	4.2	1
8	T18050UF0190N	BEARING NEEDLE SKF HK2012 (DIA20*DIA26*12)	4.2	1
9	MJ01760000500	DOWEL PIN, HOLLOW (Ø8*12)	0.6	2
10	T0203BUF0150N	OIL STRAINER	0.6	1
11	T0202CUF2430N	BREATHER HOLE COVER PLATE	0.8	1
12	T0202CUF0510N	LOCK PLATE INPUT BEARING	0.8	1
13	96001-06010-00-IK	BOLT, HEX FLANGE SH - M6X10 (LOCK PLATE)	0.8	2
14	T0209DUF0210N	GASKET, COVER RH	0.7	1
15	T0203AUF0160N	OIL PUMP COMPLETE - ADVIK	0.7	1
16	SP0906034	BOLT, HEX FLANGE SH - M6X85	0.7	1
17	T0202CUF0480N	DRUMLOCK SPRING	0.8	1
18	T18010UF0150N	WASHER, STAR DRUM BOLT(Ø6.4*Ø15*1)	0.7	1
19	T0215CUF0650N	ASSEMBLY STOPPER COMP GEAR SHIFT DRUM	0.7	1

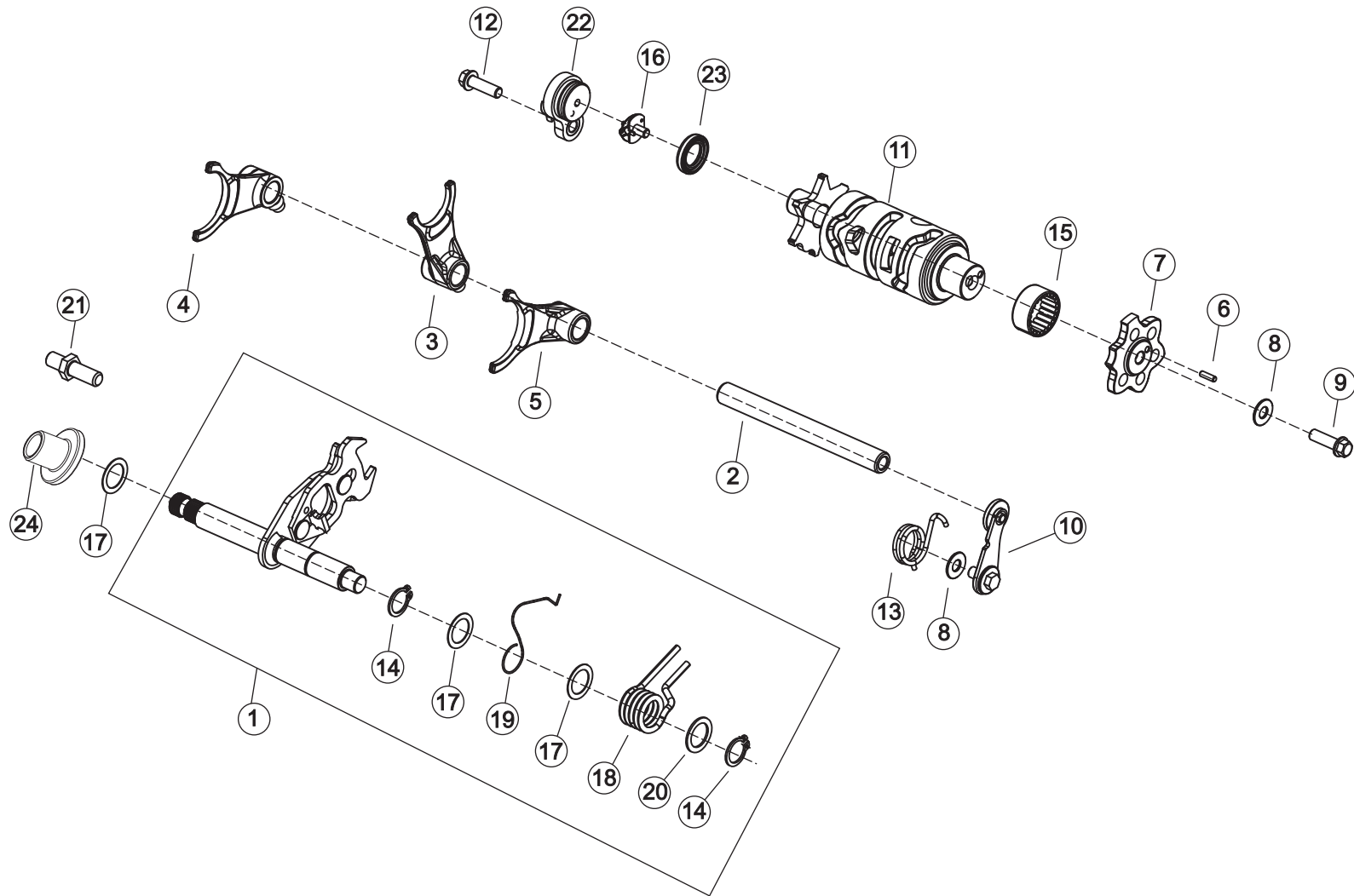
CYLINDER HEAD EXPLOSION



CYLINDER HEAD EXPLOSION

SR. NO.	PART NO.	PART DESCRIPTION	FRT	QTY	
1	T0202BVE0080E	CYLINDER HEAD AND CAMSHAFT HOLDER KIT	3.2	1	
2	T1502HUF0060N	WATER SENSOR	0.3	1	
3	T1502DUF0070N	SPARK PLUG	0.5	1	
4	T02010UF0020N	GROMATE, SPARK PLUG	0.5	1	
5	T0202BUF0830N	STUD MUFFLER (M8X41)	2.4	4	
6	MJ01760000500	DOWEL PIN, HOLLOW (Ø8*12)	0.6	2	
7	T18040UF0090N	O-RING, CAMSHAFT HOLDER	0.5	2	
8	TSF0102290	BOLT, HEX FLANGE SH - M6X35	0.6	7	
9	T0202AUF0820N	DOWEL PIN, SOLID (Ø6X14)	3.2	2	
10	T0202BUF0420N	UPPER VALVE SPRING RETAINER	4.6	4	
11	T0202BUF0410N	LOWER VALVE SPRING RETAINER	4.6	4	
12	T0202BUF1660N	HEAD NUT WASHER CYLINDER HEAD (Ø10.2*Ø18*2)	1.1	4	
13	T0208BUF0510N	VALVE STEM SEAL	4.6	4	
14	T0202BUF0580N	VALVE SPRING INNER	4.6	4	
15	T0202BUF0430N	VALVE SPRING OUTER	4.6	4	
16	T02090VE0010N	GASKET, CYLINDER HEAD	3.2	1	
17	TSF0102293	BOLT, HEX FLANGE SH - M6X130 (HEAD MOUNT)	3.2	2	
18	93500-04010-OH	PAN HEAD SCREW (M4*10)	0.5	1	
19	T0208AUF0640N	GUIDE CHAIN (TOP) WITH INSERT	0.5	1	
20	T0202BUF2140N	HEAD NUT CAP TYPE	1.1	4	
21	T0202BVE0090E	ASM CYLINDER HEAD	1	1	
22	T0209AVE0020N	RUBBER GROMMET CYLINDER HEAD	0.6	1	
23	T04000VE0010N	COVER THERMOSTAT	0.4	1	
24	T0401EVE0030N	THERMOSTAT VALVE TWO WAY	0.4	1	
25	T0209BVE0020N	O RING THEMOSTAT 1.78X33.05	0.4	1	
26	SP0906041	BOLT, HEX FLANGE SH-M6X12	0.2	2	
27	SF0401062	WASHER PLAIN M10X19X2	0.3	1	

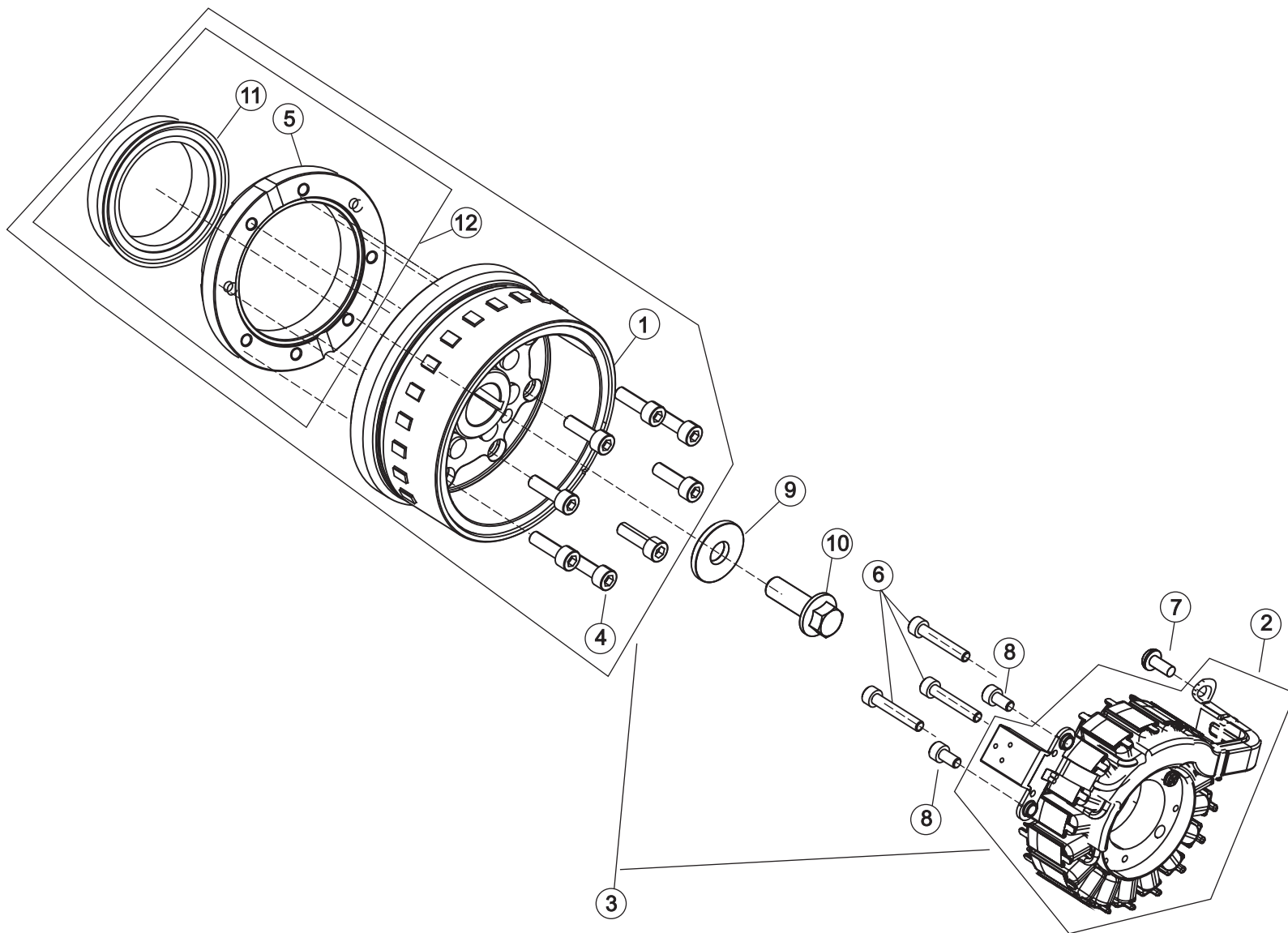
DRUM ASM & SHIFT SHAFT MECH CAMBINE



DRUM ASM & SHIFT SHAFT MECH CAMBINE

SR. NO.	PART NO.	PART DESCRIPTION	FRT	QTY	
1	T0215CUF0580N	LEVER COMPLETE GEAR SHIFT WITH TORSION SPRING	4	1	
2	T0215CUF0430N	SHAFT, FORK GEAR SHIFT	4	1	
3	T0215CUF0440N	FORK, GEAR SHIFT 3RD,4TH - INPUT / MIDDLE	4	1	
4	T0215CUF0450N	FORK, GEAR SHIFT 2ND,6TH - OUTPUT / BOTTOM	4	1	
5	T0215CUF0460N	FORK, GEAR SHIFT 1ST,5TH - OUTPUT / TOP	4	1	
6	T0215CUF0400N	PIN STAR DRUM	0.7	1	
7	T0215CUF0410N	STAR DRUM	0.7	1	
8	T18010UF0150N	WASHER, STAR DRUM BOLT(Ø6.4*Ø15*1)	0.7	1	
9	SP0906029	BOLT,HEX FLANGE SH - M6X20	0.7	1	
10	T0215CUF0650N	ASSEMBLY STOPPER COMP GEAR SHIFT DRUM	0.7	1	
11	T0215CUF0490N	ASSEMBLY, SHIFT DRUM	0.7	1	
12	SP0906029	BOLT, HEX FLANGE SH - M6X20	4	1	
13	T0202CUF0480N	DRUMLOCK SPRING	0.2	1	
14	T0215CUF0350N	CIRCLIP, Ø12*Ø20*0.5	0.8	2	
15	T18050UF0190N	BEARING NEEDLE SKF	4.1	1	
16	T0217AUF0030N	SLIDING CONTACT NEUTRAL SWITCH	4.2	1	
17	T18010UF0120N	WASHER, SHIFT SHAFT (Ø14*Ø20*0.5)	4	3	
18	T0215CUF0340N	SLECTOR TORSION SPRING	4	1	
19	T0215CUF0570N	TORSION SPRING	4	1	
20	T18010UF1000N	WASHER, SHIFT SHAFT (Ø14*Ø20*1)	4.1	1	
21	T0202CUF0780N	BOLT, SHIFTER STOPPER - M8X1.25	4	1	
22	T0217AUF0010N	NEUTRAL SWITCH WITH O RING	0.2	1	
23	T18020UF0100N	OIL SEAL, NEUTRAL SWITCH	3.9	1	
24	T02200KE0010N	CHAIN SLIDER BUSH	0.3	1	

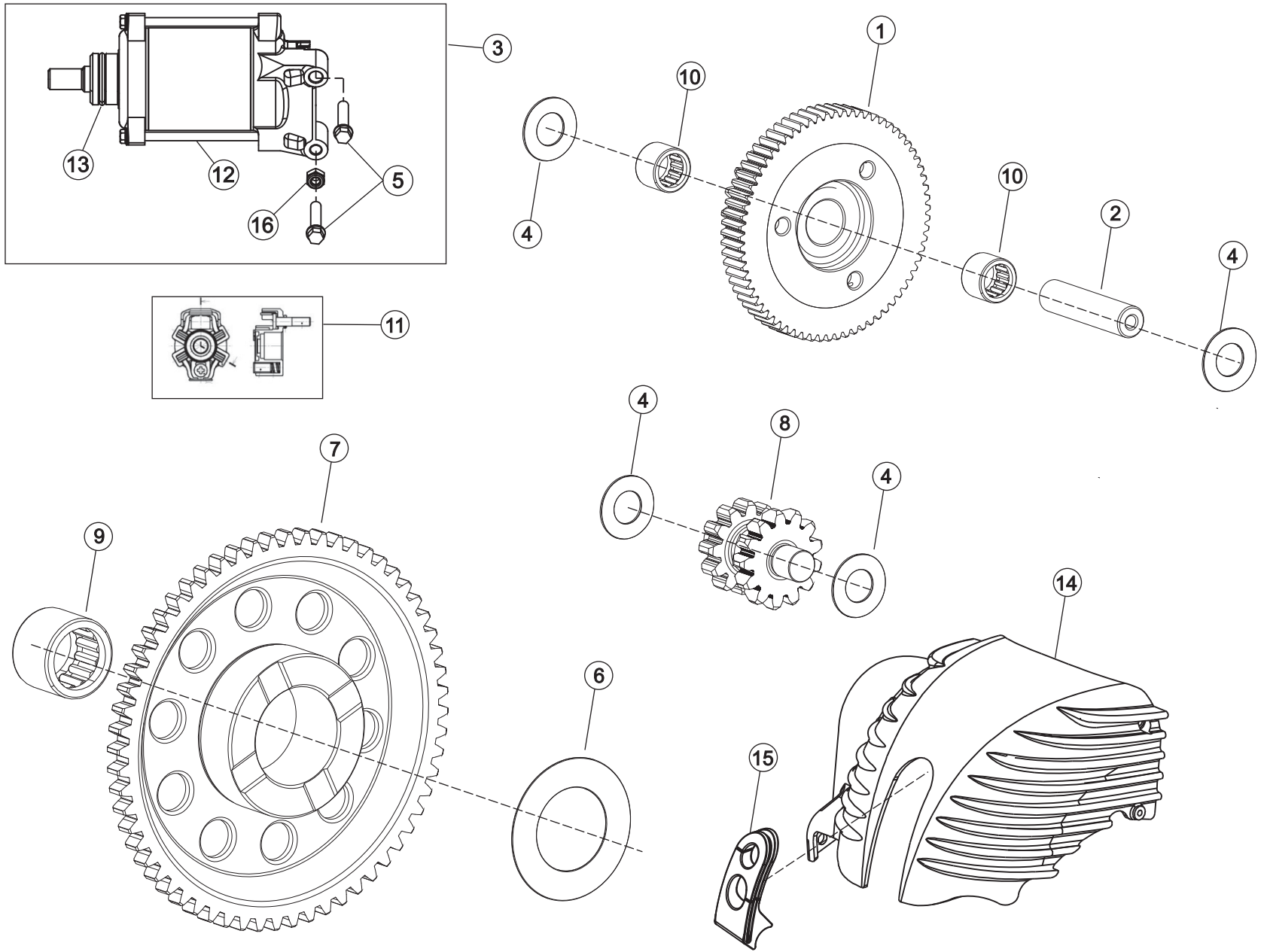
MAGNETO ASSEMBLY



MAGNETO ASSEMBLY

SR. NO.	PART NO.	PART DESCRIPTION	FRT	QTY	
1	T1502AVE0030N	ROTOR ASSEMBLY	0.3	1	
2	T1502AVE0020N	STATOR ASSEMBLY	0.3	1	
3	T1502AVE0010N	MAGNETO ASSEMBLY	0.4	1	
4	TSF0224076	BOLT, SOCKET HEAD_M6X1X20	0.5	8	
5	T1502AUF0120N	ONE WAY CLUTCH COMPONENT	0.5	1	
6	TSF0224075	BOLT, HEX SOCKET HEAD - M5X30 (STATOR MOUNT)	0.3	3	
7	SP0805020	PAN HEAD SCREW - M5X12	0.3	1	
8	TSF0224077	BOLT, HEX SOCKET HEAD - M5*10	0.3	2	
9	T18010UF0950N	WASHER PLAIN (Ø10.1*Ø30*3.1)	0.3	1	
10	T1502AUF0180N	BOLT, MAGNETO (M10X1.25)	0.3	1	
11	T1502AUF0190N	FLANGE ONE WAY CLUTCH	0.5	1	
12	T1502AUF0110N	ASSEMBLY, ONE WAY CLUTCH	0.5	1	

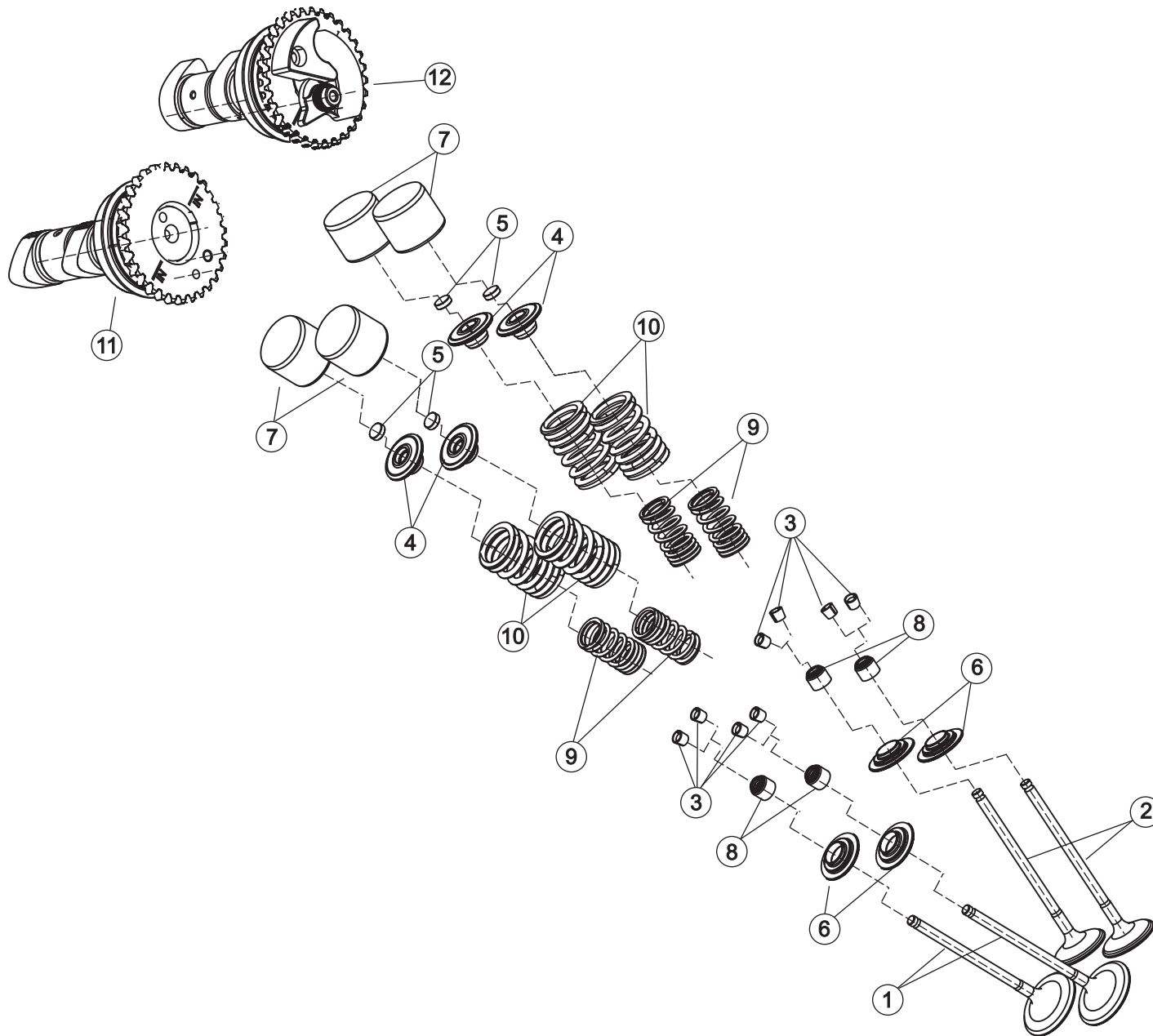
STARTING SYSTEM & STARTER MOTOR



STARTING SYSTEM & STARTER MOTOR

SR. NO.	PART NO.	PART DESCRIPTION	FRT	QTY	
1	T0205BUF0530N	ASSEMBLY, SLIPPER CLUTCH	0.1	1	
2	T0205BUF0350N	SHAFT, STARTER COUNTER	0.1	1	
3	T1503BUF0060N	ASSEMBLY, STARTER MOTOR	0.2	1	
4	T18010UF0920N	WASHER_10.3*20*0.8 (STRATER INTRM GEAR)	0.1	4	
5	TSF0102296	BOLT, HEX FLANGE SH - M6X30 (STARTER MOTOR COUNT)	0.1	2	
6	T18010UF0940N	WASHER ONE WAY CLUTCH	0.3	1	
7	T0205BUF0310N	GEAR, STARTER OWC	0.3	1	
8	T0205BUF0320N	GEAR, INTERIM STARTER COUNTER	0.2	1	
9	T18050UF0260N	NEEDLE ROLLER BEARING (Ø26XØ31X24) - SINGLE ROW	0.5	1	
10	T18050UF0160N	NEEDLE BRG STARTER INTERIM GEAR (DIA10*DIA14*10)	0.6	2	
11	T1501BKE0010E	BRUSH HOLDER SET	0.5	1	
12	T1501BKE0020E	SQUARE RING	0.4	2	
13	T1503BKE0030E	O RING	0.4	1	
14	T0202DVE0100N	COVER STARTER MOTOR	0.4	1	
15	T0209CVE0010N	RUBBER GROMMET STARTER MOTOR COVER	0.4	1	
16	TSF0318007	M6 NYLOC NUT (BLACK)	0.1	1	

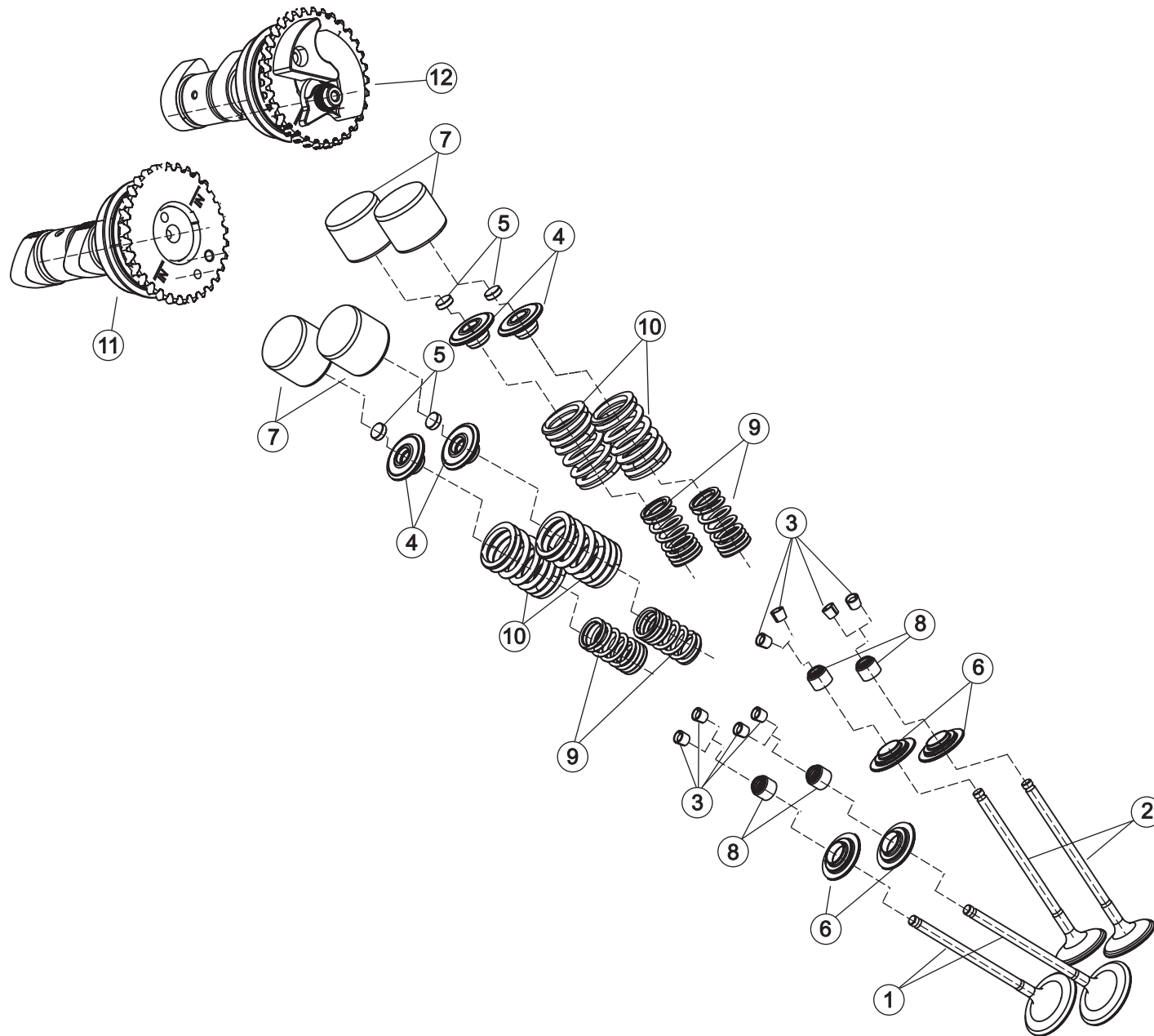
VALVE TRAIN AND CAM SHAFT



VALVE TRAIN AND CAM SHAFT

SR. NO.	PART NO.	PART DESCRIPTION	FRT	QTY
1	T0208DUF0430N	VALVE, INTAKE	4.6	2
2	T0208DUF0420N	VALVE, EXHAUST	4.6	2
3	T0208BUF0490N	COTTER	4.6	8
4	T0202BUF0420N	UPPER VALVE SPRING RETAINER	4.6	4
5	T0208BUF0480N	SHIM KIT	1.2	1
5	T0208EUF0670N	SHIM 2.000-2.020	1.2	4
5	T0201AUF0340N	SHIM 2.021-2.040	1.2	4
5	T0208EUF0680N	SHIM 2.041-2.060	1.2	4
5	T0201AUF0350N	SHIM 2.061-2.080	1.2	4
5	T0208EUF0690N	SHIM 2.081-2.100	1.2	4
5	T0201AUF0360N	SHIM 2.101-2.120	1.2	4
5	T0208EUF0700N	SHIM 2.121-2.140	1.2	4
5	T0201AUF0370N	SHIM 2.141-2.160	1.2	4
5	T0208EUF0710N	SHIM 2.161-2.180	1.2	4
5	T0201AUF0380N	SHIM 2.181-2.200	1.2	4
5	T0208EUF0720N	SHIM 2.201-2.220	1.2	4
5	T0201AUF0390N	SHIM 2.221-2.240	1.2	4
5	T0208EUF0730N	SHIM 2.241-2.260	1.2	4
5	T0201AUF0400N	SHIM 2.261-2.280	1.2	4
5	T0208EUF0740N	SHIM 2.281-2.300	1.2	4
5	T0201AUF0410N	SHIM 2.301-2.320	1.2	4
5	T0208EUF0750N	SHIM 2.321-2.340	1.2	4
5	T0201AUF0420N	SHIM 2.341-2.360	1.2	4
5	T0208EUF0760N	SHIM 2.361-2.380	1.2	4
5	T0201AUF0430N	SHIM 2.381-2.400	1.2	4
5	T0208EUF0770N	SHIM 2.401-2.420	1.2	4
5	T0201AUF0440N	SHIM 2.421-2.440	1.2	4
5	T0208EUF0780N	SHIM 2.441-2.460	1.2	4
5	T0201AUF0450N	SHIM 2.461-2.480	1.2	4
5	T0208EUF0790N	SHIM 2.481-2.500	1.2	4
5	T0201AUF0460N	SHIM 2.501-2.520	1.2	4
5	T0208EUF0800N	SHIM 2.521-2.540	1.2	4
5	T0201AUF0470N	SHIM 2.541-2.560	1.2	4
5	T0208EUF0810N	SHIM 2.561-2.580	1.2	4

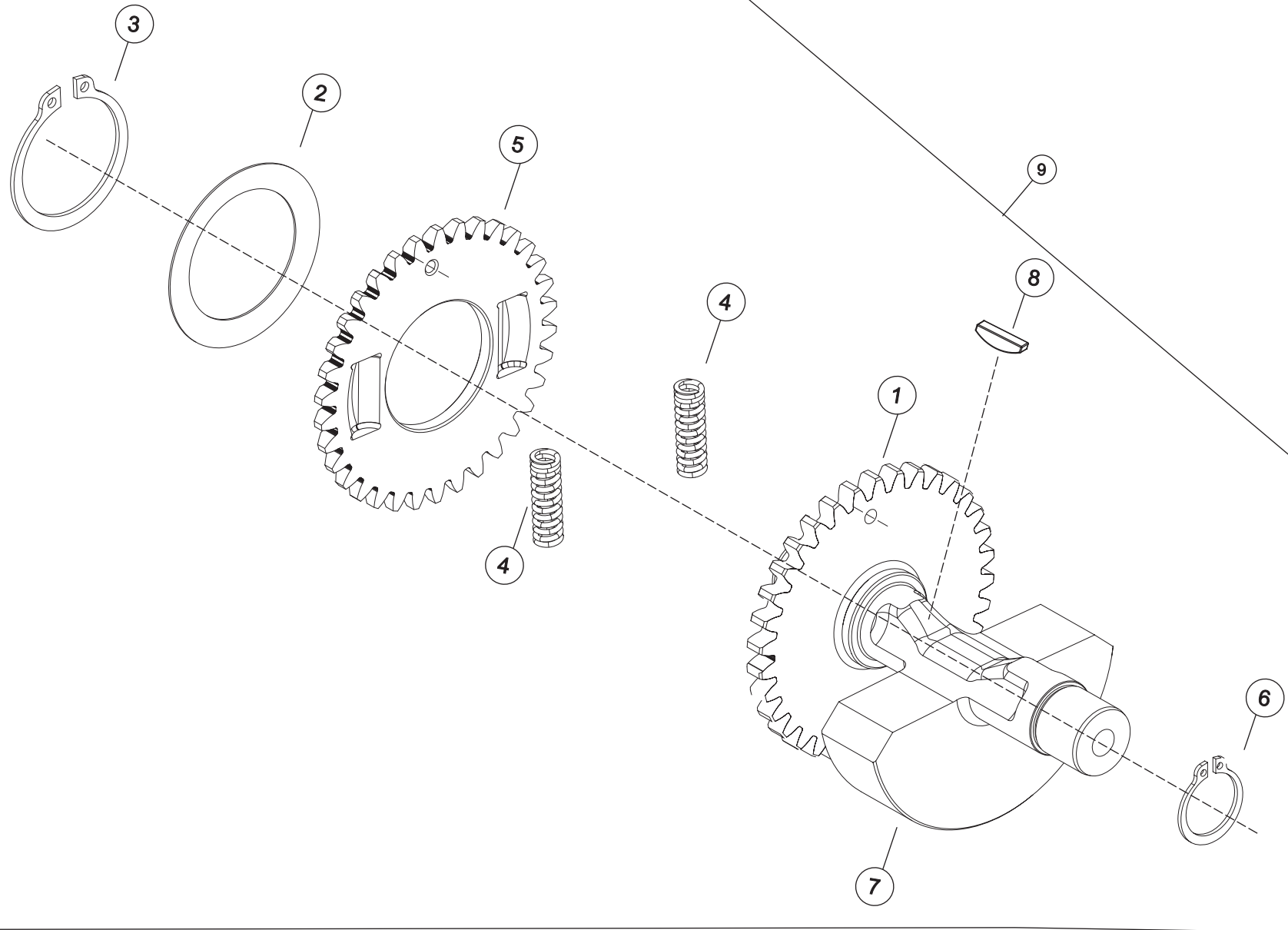
VALVE TRAIN AND CAM SHAFT



VALVE TRAIN AND CAM SHAFT

SR. NO.	PART NO.	PART DESCRIPTION	FRT	QTY	
5	T0201AUF0480N	SHIM 2.581-2.600	1.2	4	
5	T0208EUF0820N	SHIM 2.601-2.620	1.2	4	
5	T0201AUF0490N	SHIM 2.621-2.640	1.2	4	
5	T0208EUF0830N	SHIM 2.641-2.660	1.2	4	
5	T0201AUF0500N	SHIM 2.661-2.680	1.2	4	
5	T0208EUF0840N	SHIM 2.681-2.700	1.2	4	
5	T0201AUF0510N	SHIM 2.701-2.720	1.2	4	
5	T0201AUF0520N	SHIM 2.721-2.740	1.2	4	
5	T0201AUF0530N	SHIM 2.741-2.760	1.2	4	
5	T0201AUF0640N	SHIM 2.761-2.780	1.2	4	
5	T0201AUF0540N	SHIM 2.781-2.800	1.2	4	
5	T0201AUF0550N	SHIM 2.801-2.820	1.2	4	
5	T0201AUF0560N	SHIM 2.821-2.840	1.2	4	
5	T0201AUF0570N	SHIM 2.841-2.860	1.2	4	
5	T0201AUF0580N	SHIM 2.861-2.880	1.2	4	
5	T0201AUF0590N	SHIM 2.881-2.900	1.2	4	
5	T0201AUF0600N	SHIM 2.901-2.920	1.2	4	
5	T0202AUF2110N	SHIM 2.921-2.940	1.2	4	
5	T0201AUF0610N	SHIM 2.941-2.960	1.2	4	
5	T0201AUF0620N	SHIM 2.961-2.980	1.2	4	
5	T0201AUF0630N	SHIM 2.981-3.000	1.2	4	
6	T0202BUF0410N	LOWER VALVE SPRING RETAINER	4.6	4	
7	T0208BUF0500N	TAPPET	1.2	4	
8	T0208BUF0510N	VALVE STEM SEAL	4.6	4	
9	T0202BUF0580N	VALVE SPRING INNER	4.6	4	
10	T0202BUF0430N	VALVE SPRING OUTER	4.6	4	
11	T0208AUF0520N	ASSEMBLY, CAMSHAFT INTAKE	1.1	1	
12	T0208AUF0540N	ASSEMBLY, CAMSHAFT EXHAUST	1.1	1	

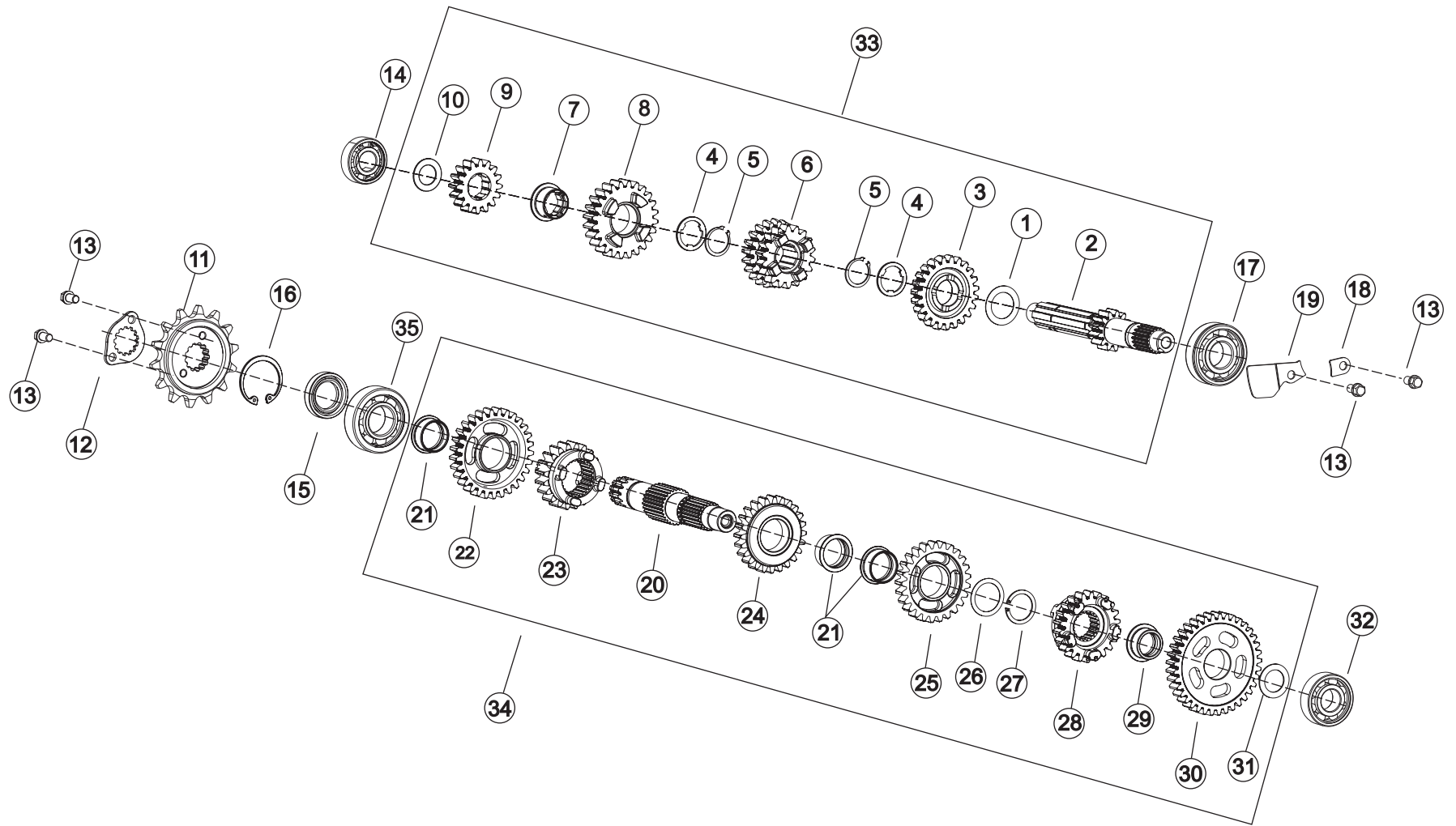
BALANCER SHAFT ASSEMBLY



BALANCER SHAFT ASSEMBLY

SR. NO.	PART NO.	PART DESCRIPTION	FRT	QTY	
1	T0204EUF0070N	BALANCER SHAFT FIXED GEAR	4.1	1	
2	T0204EUF0100N	PLATE SPRING	4	1	
3	T0204EUF0110N	CIRCLIP (F30)	4	1	
4	T0204EUF0090N	CYLINDER SPRING	4.1	2	
5	T0204EUF0080N	BALANCER GEAR, DAMPING	4.1	1	
6	T0204EUF0120N	CIRCLIP A17X1	4.1	1	
7	T0204EUF0060N	BODY BALANCER	4.1	1	
8	T18080UF0030N	KEY LOCK	4.1	1	
9	T0204EUF0050N	ASSEMBLY BALANCER SHAFT COMPLETE	4.1	1	

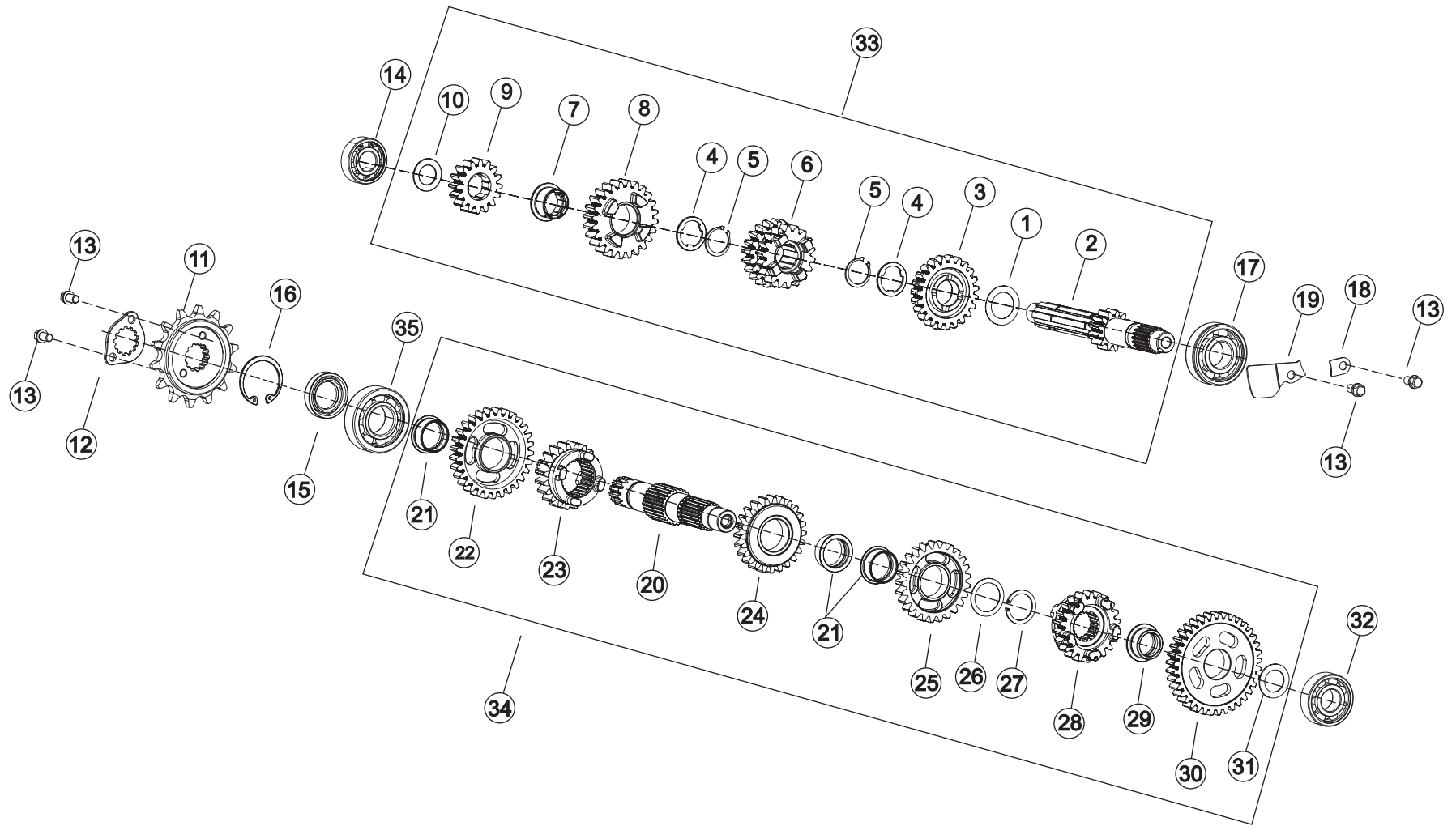
TRANSMISSION SYSTEM



TRANSMISSION SYSTEM

SR. NO.	PART NO.	PART DESCRIPTION	FRT	QTY	
1	T18010UF0140N	WASHER_20.2*30*0.5	4.2	1	
2	T0215DUF0110N	SHAFT, INPUT T/M	4.2	1	
3	T0215DUF0120N	GEAR, 5TH DRIVE	4.2	1	
4	T18010UF0060N	SPLINE WASHER_20.3X26X1.6	4.2	2	
5	T0215AUF0130N	CIRCLIP	4.1	2	
6	T0215DUF0170N	GEAR, 3RD & 4TH DRIVE (INTEGRAL)	4.1	1	
7	T0215AUF0140N	SPLINE BUSH - 6TH DRIVE	4.1	1	
8	T0215DUF0150N	GEAR, 6TH DRIVE	4.1	1	
9	T0215DUF0160N	GEAR, 2ND DRIVE	4.1	1	
10	T18010UF0070N	WASHER_15.2X25X1	4.1	1	
11	T0215DUF0080N	SPROCKET, DRIVE	0.2	1	
12	T0215DUF0090N	LOCK PLATE DRIVE SPROCKET	0.2	1	
13	96001-06010-00	BOLT, HEX FLANGE SH - M6X10	0.5	4	
14	T18050UF0130N	BEARING BALL INPUT	4	1	
15	T18020UF0080N	OIL SEAL, OUTPUT SHAFT	4	1	
16	TSF0602039	INTERNAL CIRCLIP (Ø35*1.75)	0.2	1	
17	T18050UF0280N	BEARING INPUT SHAFT	4.2	1	
18	T0202CUF0510N	LOCK PLATE INPUT BEARING	0.8	1	
19	T0202CUF2430N	BREATHER HOLE COVER PLATE	0.8	1	
20	T0215DUF0190N	SHAFT, OUTPUT T/M	4.2	1	
21	T0215AUF0200N	BUSH, 2ND GEAR	4.1	3	
22	T0215DUF0210N	GEAR, 2ND DRIVEN	4.1	1	
23	T0215DUF0220N	GEAR, 6TH DRIVEN	4.1	1	
24	T0215DUF0230N	GEAR, 4TH DRIVEN	4.2	1	
25	T0215DUF0240N	GEAR 3RD, DRIVEN	4.2	1	
26	T18010UF0090N	WASHER_22.2*28*0.5	4.2	1	
27	T0215AUF0150N	CIRCLIP	4.2	1	
28	T0215DUF0250N	GEAR, 5TH DRIVEN	4.1	1	
29	T0215AUF0260N	BUSH, 1ST GEAR	4.1	1	
30	T0215DUF0270N	GEAR, 1ST DRIVEN	4.1	1	
31	T18010UF0100N	*WASHER_Ø17.2*Ø26*1	4.2	1	
31	T0215AUF0990N	WASHER 17.2 X 26 X THK. (1.000 TO 1.050)	4.2	1	
31	T0215AUF1000N	WASHER 17.2 X 26 X THK. (1.051 TO 1.100)	4.2	1	
31	T0215AUF1010N	WASHER 17.2 X 26 X THK. (1.101 TO 1.150)	4.2	1	

TRANSMISSION SYSTEM



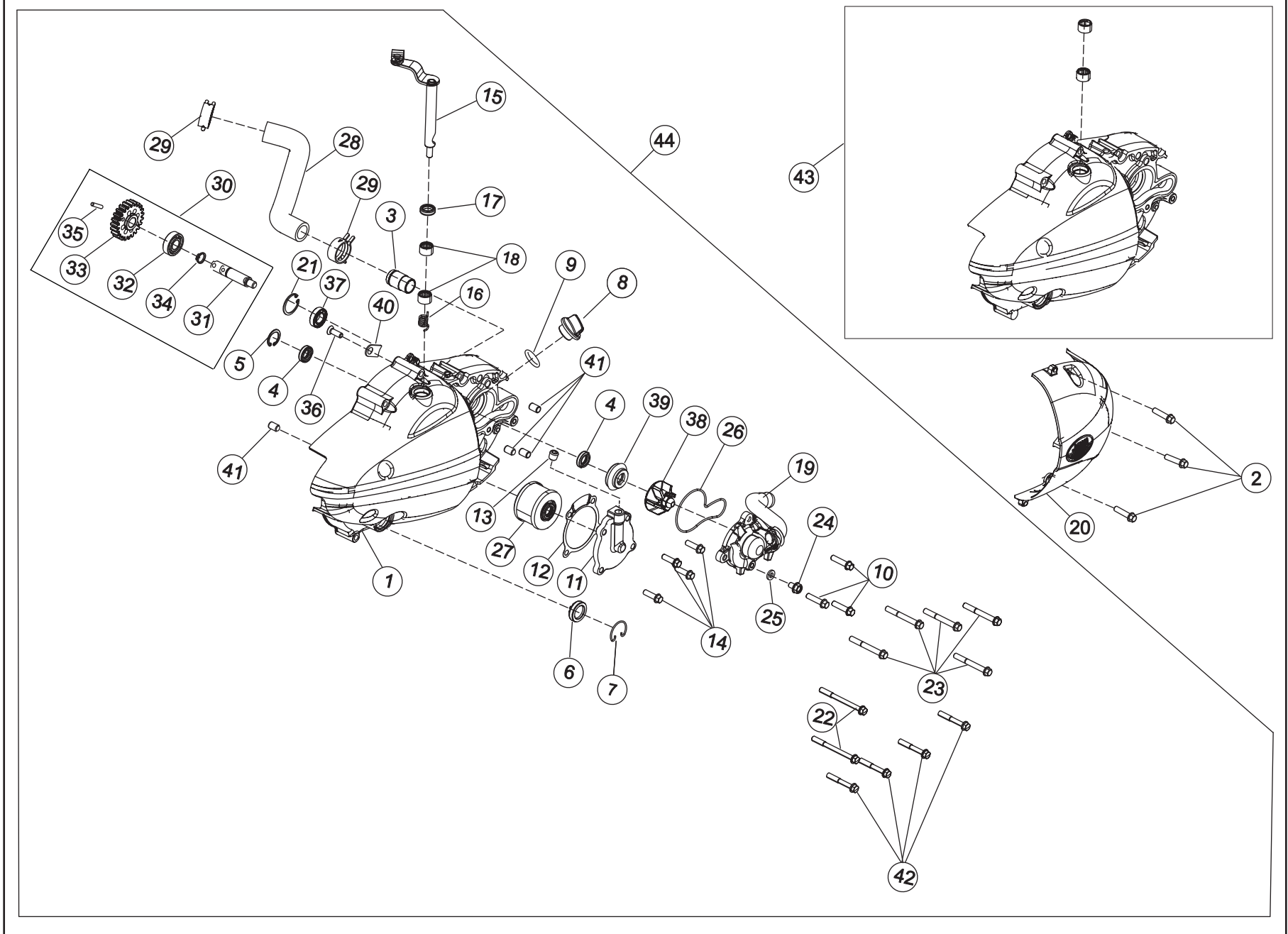
TRANSMISSION SYSTEM

SR. NO.	PART NO.	PART DESCRIPTION	FRT	QTY
31	T0215AUF1020N	WASHER 17.2 X 26 X THK. (1.151 TO 1.200)	4.2	1
31	T0215AUF1030N	WASHER 17.2 X 26 X THK. (1.201 TO 1.250)	4.2	1
31	T0215AUF1040N	WASHER 17.2 X 26 X THK. (1.251 TO 1.300)	4.2	1
32	T18050UF0170N	BEARING OUTPUT SHAFT	4.2	1
33	T0215AUF0100N	ASSEMBLY, INPUT SHAFT	4.2	1
34	T0215AUF0180N	ASSEMBLY, OUTPUT SHAFT	4.2	1
35	T18050UF0140N	BEARING OUTPUT SHAFT	4	1

R CRANKCASE COVER

SR. NO.	PART NO.	PART DESCRIPTION	FRT	QTY	
1	T0202DVE0380N	COVER RH C300 WITH OIL PLUG	0.6	1	
2	SF0102034	FLANGE HEAD BOLT SH M6X28	0.2	3	
3	T0401EUF0140N	PIPE, COVER RH	0.4	1	
4	T18020UF0110N	OIL SEAL CRANKSHAFT	0.8	2	
5	T0202DUF0750N	CIRCLIP - OIL SEAL CRANKSHAFT	0.8	1	
6	T02090UH0010N	LENS, OIL LEVEL CHECK	0.1	1	
7	T0202CUF2410N	WIRE CLIP GLASS WINDOW	0.1	1	
8	T0203BUF0250N	CAP OIL FILLER	0.2	1	
9	T0209AVN0300N	O RING CAP OIL FILLER	0.2	1	
10	SP0206021	BOLT, HEX FLANGE SH - M6X25	0.2	3	
11	T0202DVE0080N	COVER OIL FILTER C300	0.2	1	
12	T02090VE0030N	GASKET COVER OIL FILTER	0.2	1	
13	0302AB0560N	PLUG M8X1.25	0.2	1	
14	SP0906029	BOLT, FLANGE HEX HEAD SH M6X20	0.2	4	
15	T0219AUF0010N	ASSEMBLY CLUTCH LIFTER	0.6	1	
16	T0219AUF0060N	CLUTCH LIFTER SPRING	0.6	1	
17	T18020UF0130N	SELECTOR SEAL	0.6	1	
18	T18050UF0220N	NEEDLE ROLLER BEARING (12*16*10)	0.8	2	
19	T0202DVE0130N	ASM COVER COOLANT PUMP	0.2	1	
20	T0202DVE0020N	SERVICE COVER RH	0.1	1	
21	SF0602068	CIRCLIP INT - LUG 25X1.2	0.7	1	
22	SP0906033	BOLT, HEX FLANGE SH - M6X65	0.3	2	
23	SP0906035	BOLT, HEX FLANGE SH - M6X50	0.3	5	
24	TSF0102281	FLANGE BOLT M6*10	0.2	1	
25	MJ01700005400	SEALING WASHER (6.2 X 12 X 2)	0.2	1	
26	T0209BVE0010N	O-RING, COVER COOLANT PUMP	0.2	1	
27	T0203BUF0260N	OIL FILTER ASSEMBLY	0.3	1	
28	T04000KW0050N	HOSE PIPE TO CYLINDER BLOCK	0.3	1	
29	T0401DKE0290N	SPRING BAND CLAMP DIA 24	0.3	2	
30	T0204AVE0070N	ASM COOLANT PUMP SHAFT	0.4	1	
31	T0401EVE0010N	SHAFT COOLANT PUMP C300	0.4	1	
32	MF01850000300	DG BALL BRG 12X28X8 6001	0.4	1	
33	T0401EUF0090N	COOLANT PUMP GEAR	0.4	1	
34	SF0601216	CIRCLIP EXT - LUG 12X1.5	0.4	1	
35	T0202DUF0850N	PIN WATER PUMP GEAR	0.4	1	
36	SF0211009	SCREW FTCS CR SL M6X1X18X8.8	0.3	1	

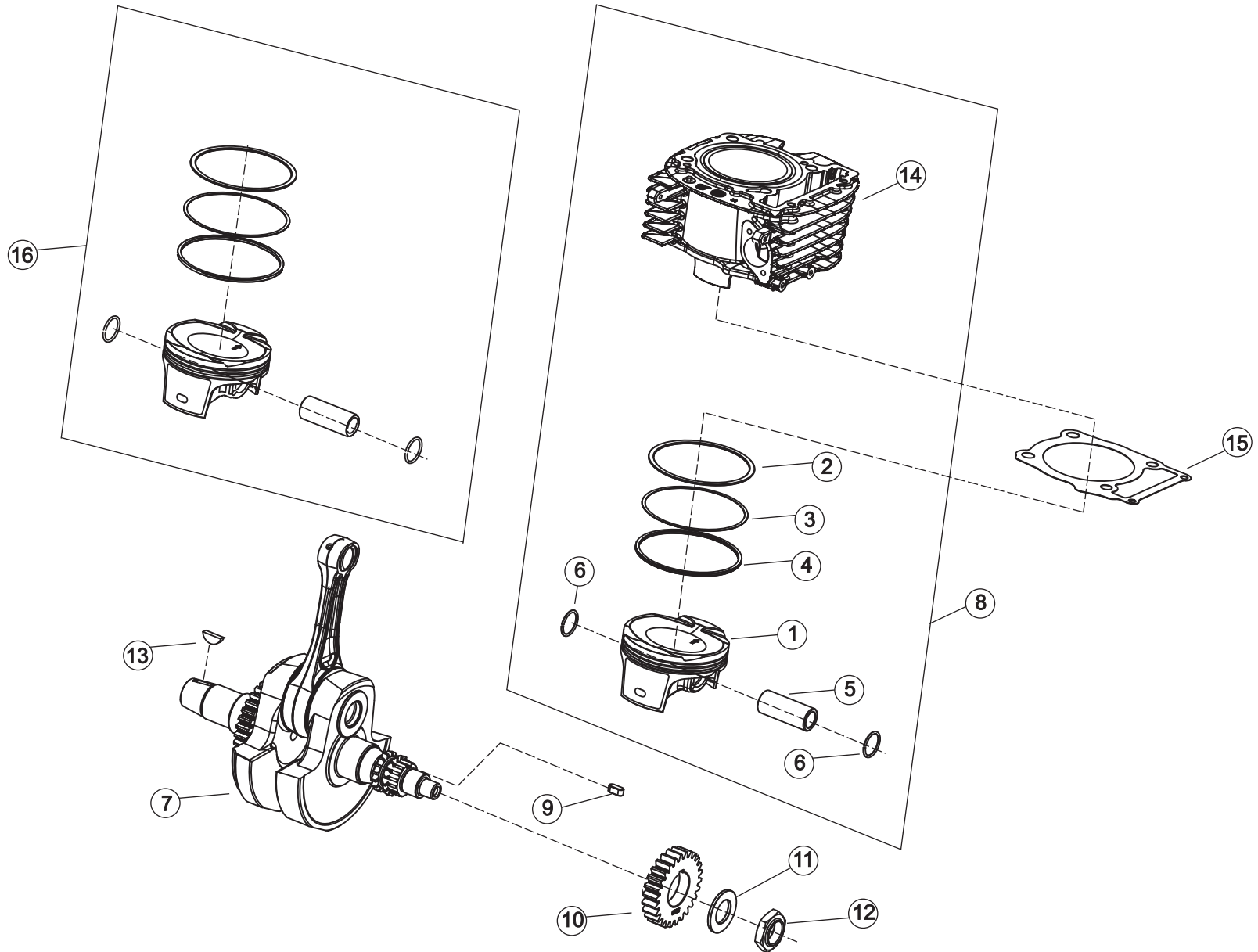
R CRANKCASE COVER



R CRANKCASE COVER

SR. NO.	PART NO.	PART DESCRIPTION	FRT	QTY	
37	SP010102309	BEARING DG BALL SR 12X24X6	0.3	1	
38	T0401EUF0030N	IMPELLER	0.3	1	
39	T0401EUF0040N	WATER SEAL	0.4	1	
40	T0401BVE0010N	PLATE RETAINER	0.3	1	
41	MJ01760000500	DOWEL PIN, HOLLOW (Ø8*12)	0.2	4	
42	SP0906032	FLANGE BOLT SH - M6 X 40	0.3	4	
43	T0202DVE0340N	CLUTCH COVER WITH CLUTCH LIFTER'S BOTH NRB	0.3	1	
44	T0202DVE0030N	ASSEMBLY COVER RH	0.6	1	

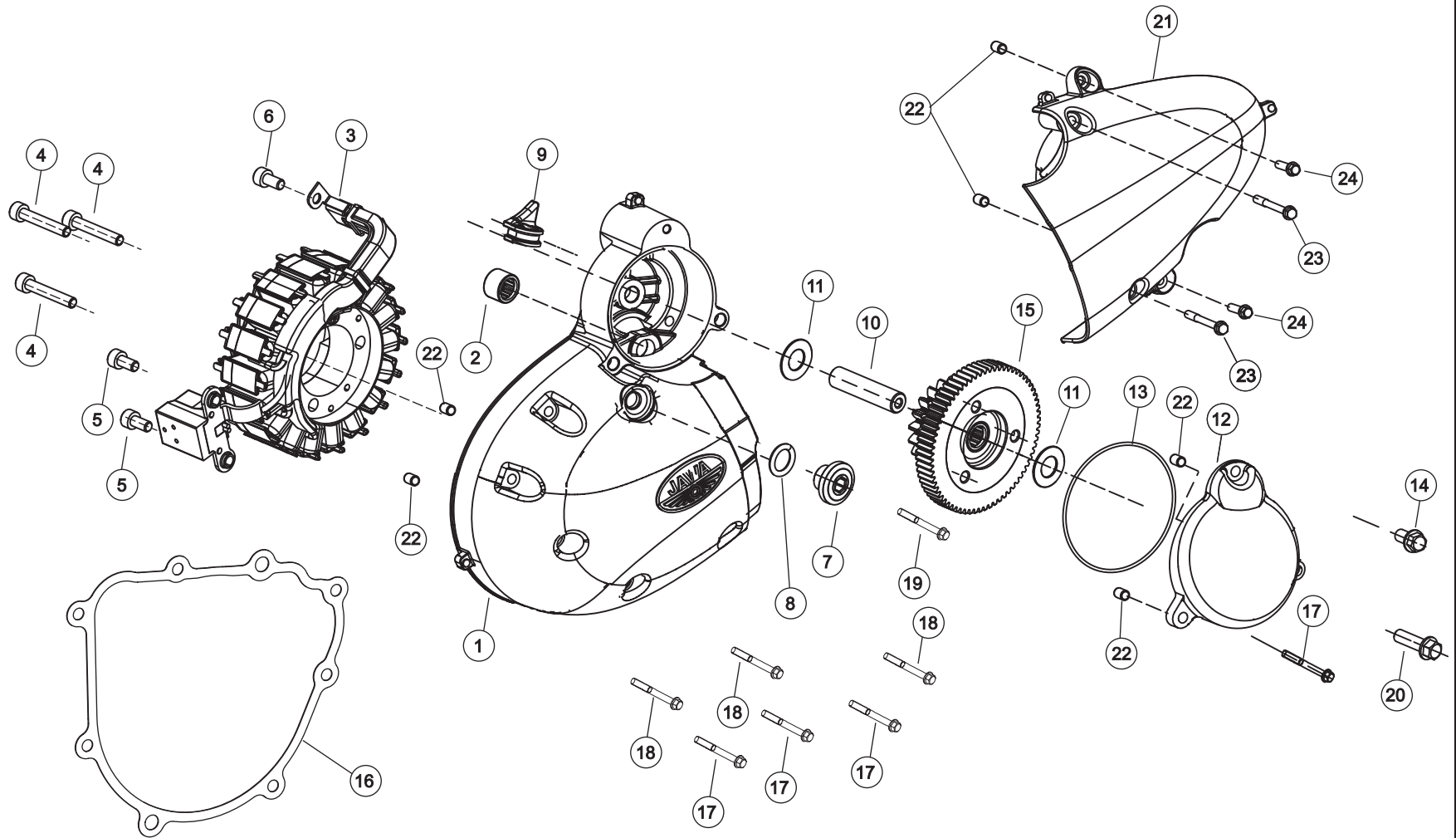
CRANKSHAFT AND PISTON



CRANKSHAFT AND PISTON

SR. NO.	PART NO.	PART DESCRIPTION	FRT	QTY	
1	T0210BUF0300N	PISTON	3.5	1	
2	T0210BUF0340N	RING PISTON TOP	3.5	1	
3	T0210BUF0350N	RING PISTON SECOND	3.5	1	
4	T0210BUF0370N	RING PISTON OIL	3.5	1	
5	T0210BUF0310N	PIN PISTON	3.5	1	
6	T0210BUF0380N	RING SNAP	3.5	2	
7	T0210AUF0230N	ASSEMBLY, CRANKSHAFT	4.2	1	
8	T0202AVE0070N	BLOCK PISTON KIT SPD	3.6	1	
9	T18080UF0020N	KEY PRIMARY DRIVE (5*5*12)	0.8	1	
10	T0215EUF0060N	GEAR, PRIMARY DRIVE (26T) (GPD)	0.8	1	
11	T18010UF0020N	WASHER, GEAR PRIMARY DRIVE (<O>18.2*<O>29*3)	0.7	1	
12	T0210AUF0320N	LOCK NUT, GEAR PRIMARY DRIVE (M18*1.25)	0.7	1	
13	T1502AUF0170N	KEY WOODRUFF (4*13)	0.4	1	
14	T0202AVE0010N	CYLINDER BLOCK C300	3.4	1	
15	T0209DUF0180N	GASKET, CYLINDER BLOCK	3.4	1	
16	T0210BUF0330N	ASSEMBLY, PISTON	3.4	1	

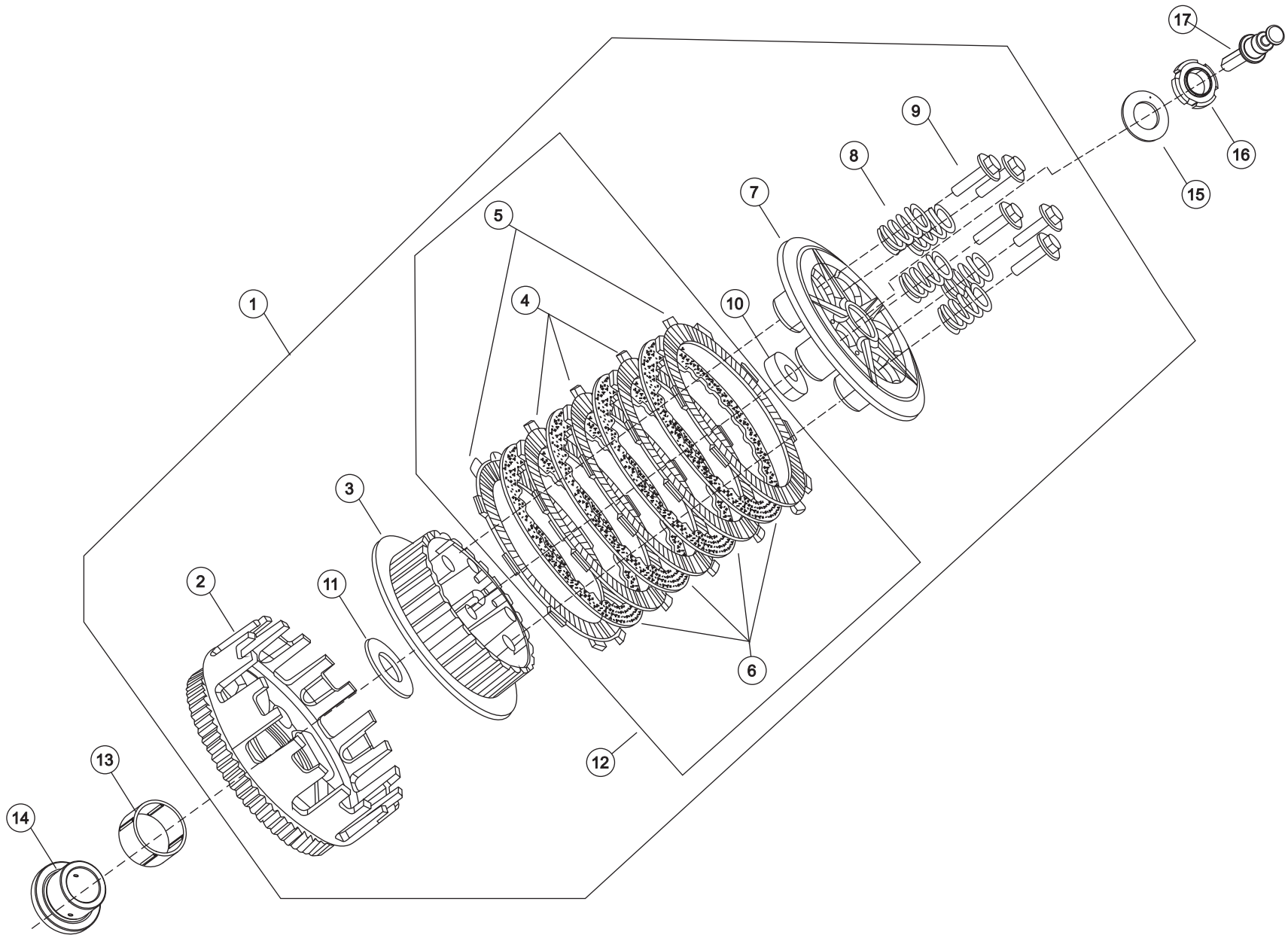
MAGNETO COVER LH



MAGNETO COVER LH

SR. NO.	PART NO.	PART DESCRIPTION	FRT	QTY
1	T0202DVE0040N	MAGNETO COVER LH	0.3	1
2	T18050UF0160N	NEEDLE BRG STARTER INTERIM	0.5	1
3	T1502AUF0140N	STATOR ASSEMBLY	0.3	1
4	TSF0224075	BOLT, HEX SOCKET HEAD - M5X30	0.3	3
5	TSF0224077	BOLT, HEX SOCKET HEAD - M5X10	0.3	2
6	SP0805020	PAN HEAD SCREW - M5X12	0.3	1
7	T0202DVE0240N	GAUGE - INSPECTION COVER	0.1	1
8	MJ01660001800	O-RING, GAUGE INSPECTION COVER	0.1	1
9	T0209DVE0010N	RUBBER GROMMET MAGNETO COVER WIRE ROUTING	0.3	1
10	T0205BUF0350N	SHAFT, STARTER COUNTER	0.1	1
11	T18010UF0920N	WASHER_10.3*20*0.8 (STARTER INTRM GEAR)	0.1	2
12	T0202DVE0070N	COVER, GEAR STARTER COUNTER	0.1	1
13	SP040111500	O-RING, COVER GEAR STARTER COUNTER	0.1	1
14	SP0906041	BOLT, HEX FLANGE SH-M6X12	0.1	1
15	T0205BUF0610N	ASSEMBLY, SLIPPER CLUTCH WITH NRB	0.1	1
16	T0209DUF0220N	GASKET- MAGNETO COVER	0.3	1
17	SP0906038	BOLT, HEX FLANGE SH - M6X70	0.1	4
18	SP0906043	BOLT, HEX FLANGE SH - M6X60	0.1	3
19	TSF0102290	BOLT, HEX FLANGE SH - M6X35	0.1	1
20	SF0102034	FLANGE HEAD BOLT SH M6X28	0.1	1
21	T0202DVE0060N	COVER LH REAR HALF	0.3	1
22	MJ01760000500	DOWEL PIN, HOLLOW (Ø8*12)	0.1	6
23	SP0906035	BOLT, HEX FLANGE SH - M6X50	0.1	2
24	Sf0102034	FLANGE HEAD BOLT SH M6X28	0.3	2

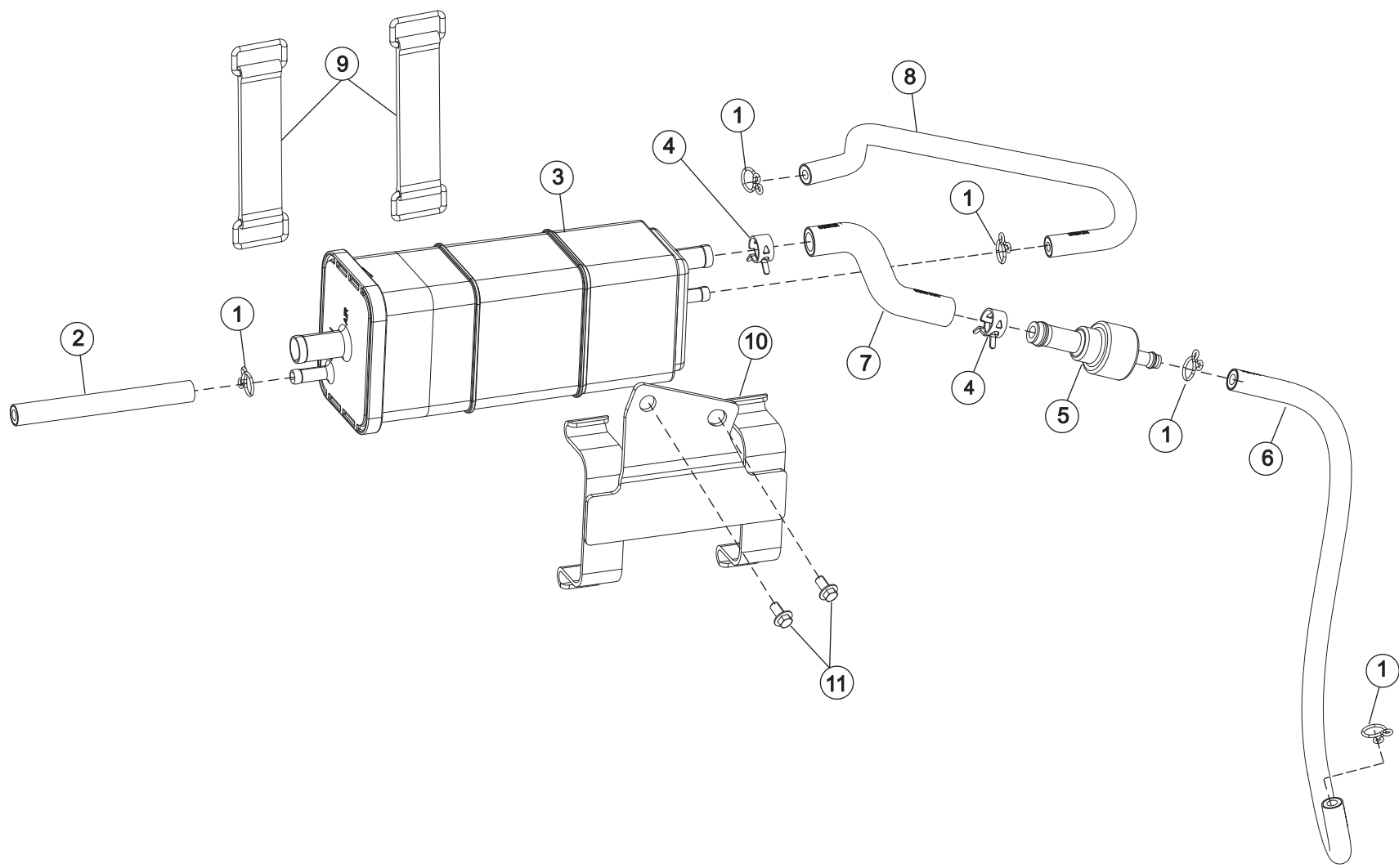
CLUTCH ASSEMBLY



CLUTCH ASSEMBLY

SR. NO.	PART NO.	PART DESCRIPTION	FRT	QTY	
1	T0218BUF0160N	ASSEMBLY, CLUTCH	0.7	1	
2	T0218BUF0400N	HOUSING COMPLETE CLUTCH	1	1	
3	T0218BUF0410N	CLUTCH HUB	0.9	1	
4	T0218BUF0370N	DISK CLUTCH FRICTION MIDDLE SPD	0.9	3	
5	T0218BUF0380N	DISK CLUTCH FRICTION END SPD	0.9	2	
6	T0218BUF0390N	PLATE CLUTCH SPD	0.9	4	
7	T0218BUF0420N	PLATE CLUTCH PRESSURE	0.7	1	
8	T0218BUF0430N	SPRING CLUTCH	0.7	5	
9	T0218BUF0440N	BOLT WASHER 6X25	0.7	5	
10	T0218BUF0450N	BEARING BALL RADIAL 6001	0.8	1	
11	T0218BUF0460N	WASHER 20X40X2	0.9	1	
12	T0218BUF0470N	CLUTCH PLATE AND FRICTION DISC KIT	0.9	1	
13	T18050UF0300N	NEEDLE ROLLER BEARING (Ø28*Ø33*17)	1	1	
14	T0218BUF0210N	CLUTCH BUSHING E02 (NRB VERSION)	1	1	
15	T18010UF0170N	WASHER CONICAL (Ø16.2*Ø27.2*2)	0.6	1	
16	T0218BUF0320N	CLUTCH NUT (M16*1)	0.6	1	
17	T0218BUF0360N	CLUTCH PULL ROD	0.7	1	

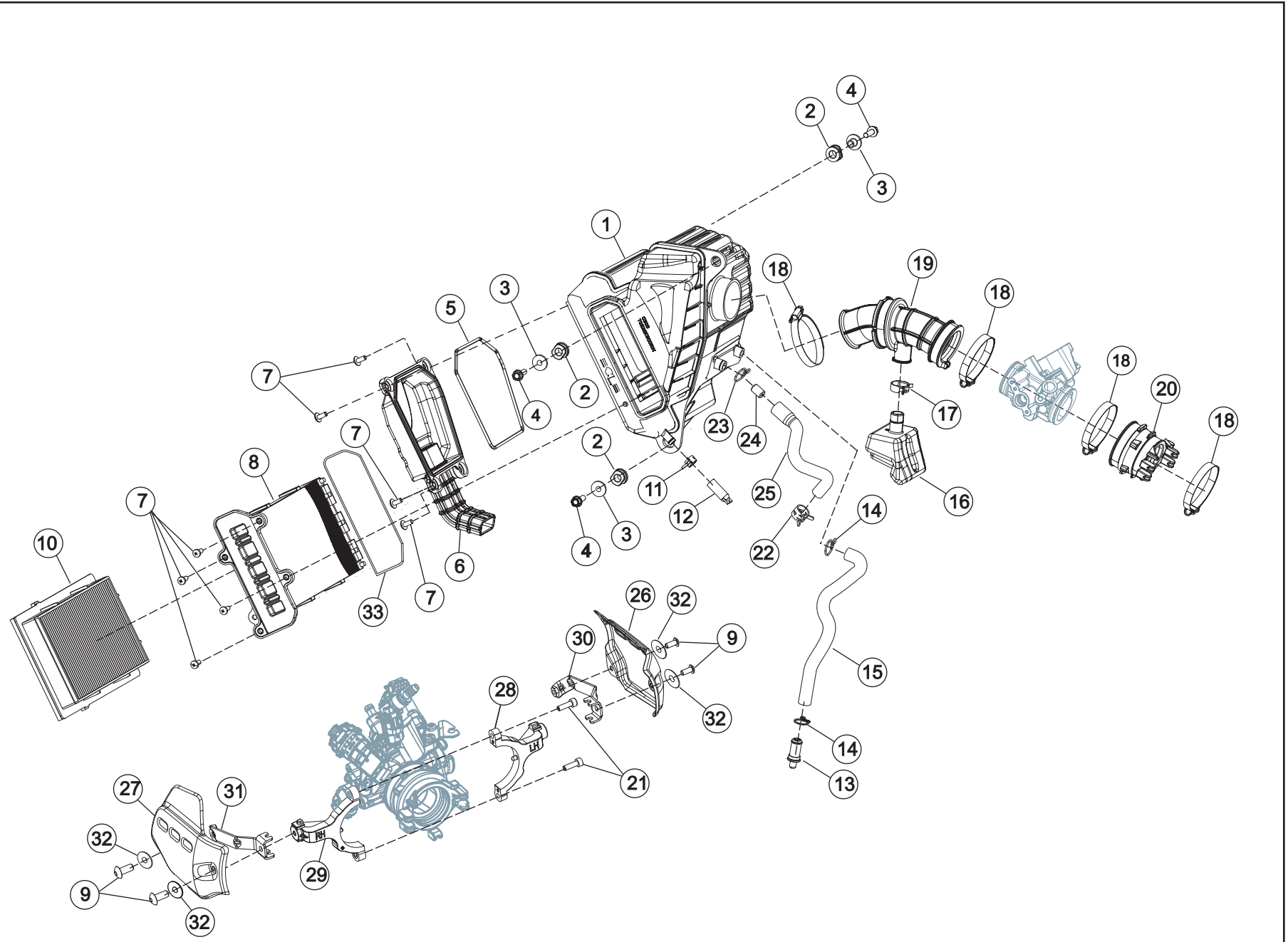
EVAPORATIVE EMISSION SYSTEM



EVAPORATIVE EMISSION SYSTEM

SR. NO.	PART NO.	PART DESCRIPTION	FRT	QTY	
1	95002-02080	CLIP TUBE B8	0.3	4	
2	T10000KW0090N	DRAIN TUBE CANISTER	0.3	1	
3	T10000KE0021N	CARBON CANISTER	0.3	1	
4	T10050KE0100N	SPRING BAND CLAMP DIA 11	0.3	2	
5	T10000KE0031N	CHECK VALVE BS-IV	0.3	1	
6	T10000KW0120N	HOSE CHECK VALVE TO THROTTLE BODY	0.3	1	
7	T10000KW0110N	HOSE CANISTER TO CHECK VALVE BS-IV	0.3	1	
8	T10010KW0190N	HOSE ROLLOVER VALVE TO CANISTER	0.3	1	
9	T14010KE0010N	TOOL KIT BAND	0.2	2	
10	T10000KW0070N	BRACKET BS-IV CANISTER MOUNTING LOOSE	0.3	1	
11	SP0906041	FLANGED HEADBOLT M6X12	0.3	2	

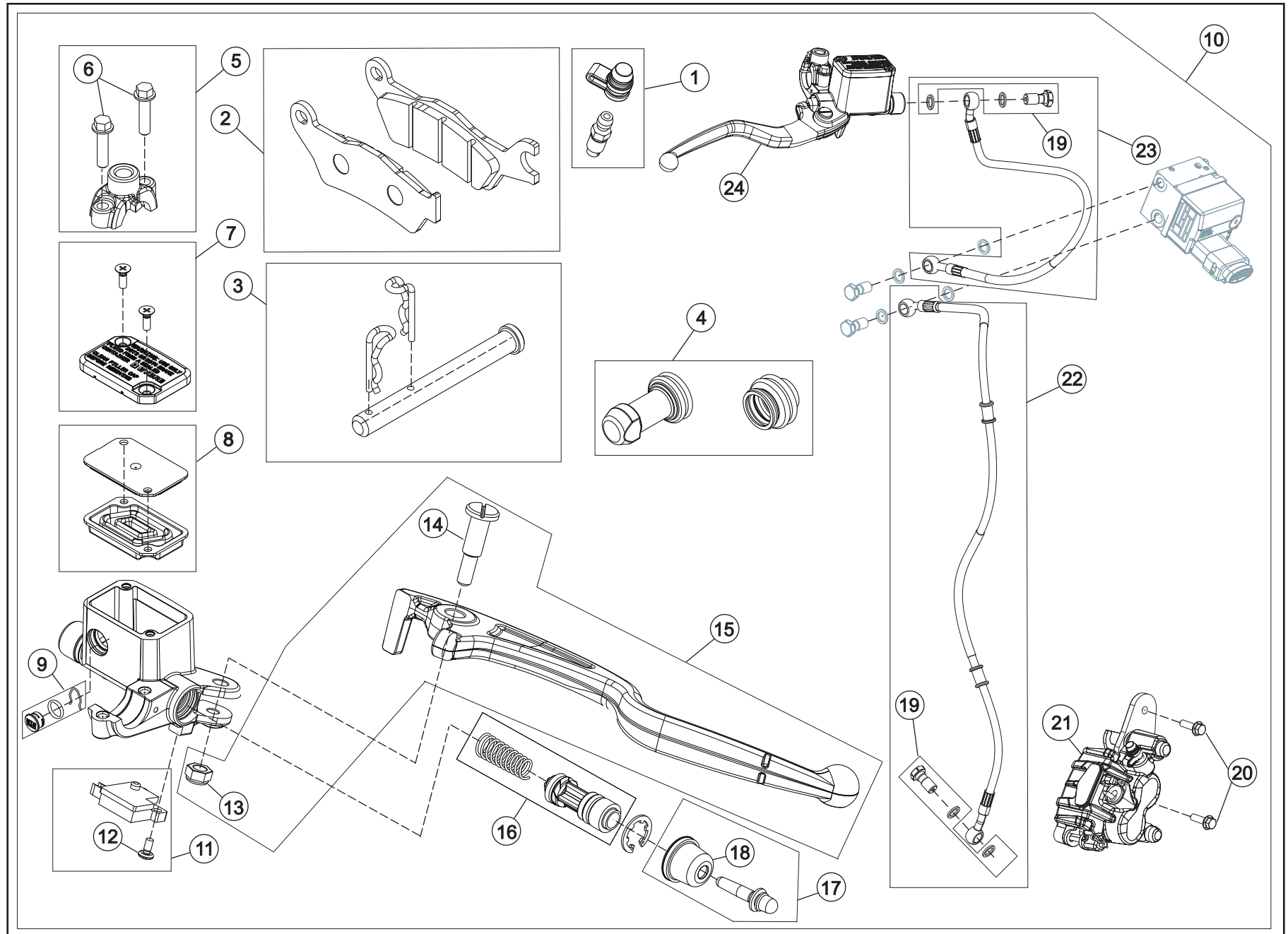
AIR FILTER ASSEMBLY



AIR FILTER ASSEMBLY

SR. NO.	PART NO.	PART DESCRIPTION	FRT	QTY
1	T0101AKW0080N	HOUSING & COVER ASSY	0.8	1
2	T13160KG0130N	GROMMET STRUCTURE MOUNTING	0.5	3
3	T13160KG0210N	COLLAR FAIRING MOUNTING	0.5	3
4	TSF0102271	SCREW HEX FL M6X1X18X8.8	0.5	3
5	T0101FKW0010N	O RING ENTRY BOX	0.5	1
6	T0101AKW0030N	ENTRY BOX ASSY	0.5	1
7	TSF0212010	TRUSS HEAD SCREW M5x12 (BLACK)	0.5	8
8	T0101AKW0040N	FRAME ELEMENT HOLDER	0.2	1
9	SF0212024	SCREW RDSKT M5X0.8X12XA2-70	0.1	4
10	T0101DKW0010N	AIR FILTER ELEMENT	0.3	1
11	T0101AKW0070N	SPRING BAND - DRAIN TUBE	0.1	1
12	T0101AKW0060N	DRAIN TUBE	0.2	1
13	T0101AKW0020N	PLUG OIL DRAIN	0.1	1
14	T0101AKW0010N	WIRE CLIP - OIL DRAIN	0.1	2
15	T01010KW0030N	OIL DRAIN TUBE	0.3	1
16	T01000KW0010N	RESONATOR BOX	0.5	1
17	T01010KW0020N	RESONATOR CLAMP	0.5	1
18	SF0700025	CLAMP SPECIAL M60X0.7X9	0.2	4
19	T0101GKW0010N	CONNECTING TUBE	0.5	1
20	T01010KW0040N	INLET MANIFOLD	0.3	1
21	SF0105067	HEX SOC CAP HEAD SCREW M5*16*0.8	0.1	2
22	T10050KE0030N	SPRING BAND CLAMP DIA 14	0.6	1
23	T0103AKM0040N	TUBE CLIP 17	0.2	1
24	T02110KE0010N	BUSH BREATHER	0.3	1
25	T0207CVE0010N	BREATHER TUBE (AIR FILTER TO ENGINE)	0.6	1
26	T13010KW0100N	COVER THROTTLE BODY LH_JAWA	0.1	1
27	T13010KW0110N	COVER THROTTLE BODY RH_JAWA	0.1	1
28	T13010KW0140N	HOLDER COVER THROTTLE BODY LH	0.1	1
29	T13010KW0150N	HOLDER COVER THROTTLE BODY RH	0.1	1
30	T13010KW0180N	BKT COVER THROTTLE BODY MTG LH - JAWA	0.1	1
31	T13010KW0190N	BKT COVER THROTTLE BODY MTG RH - JAWA	0.1	1
32	MF01700001300	NYLON WASHER	0.1	4
33	T0101AKW0050N	O RING FRAME	0.2	1

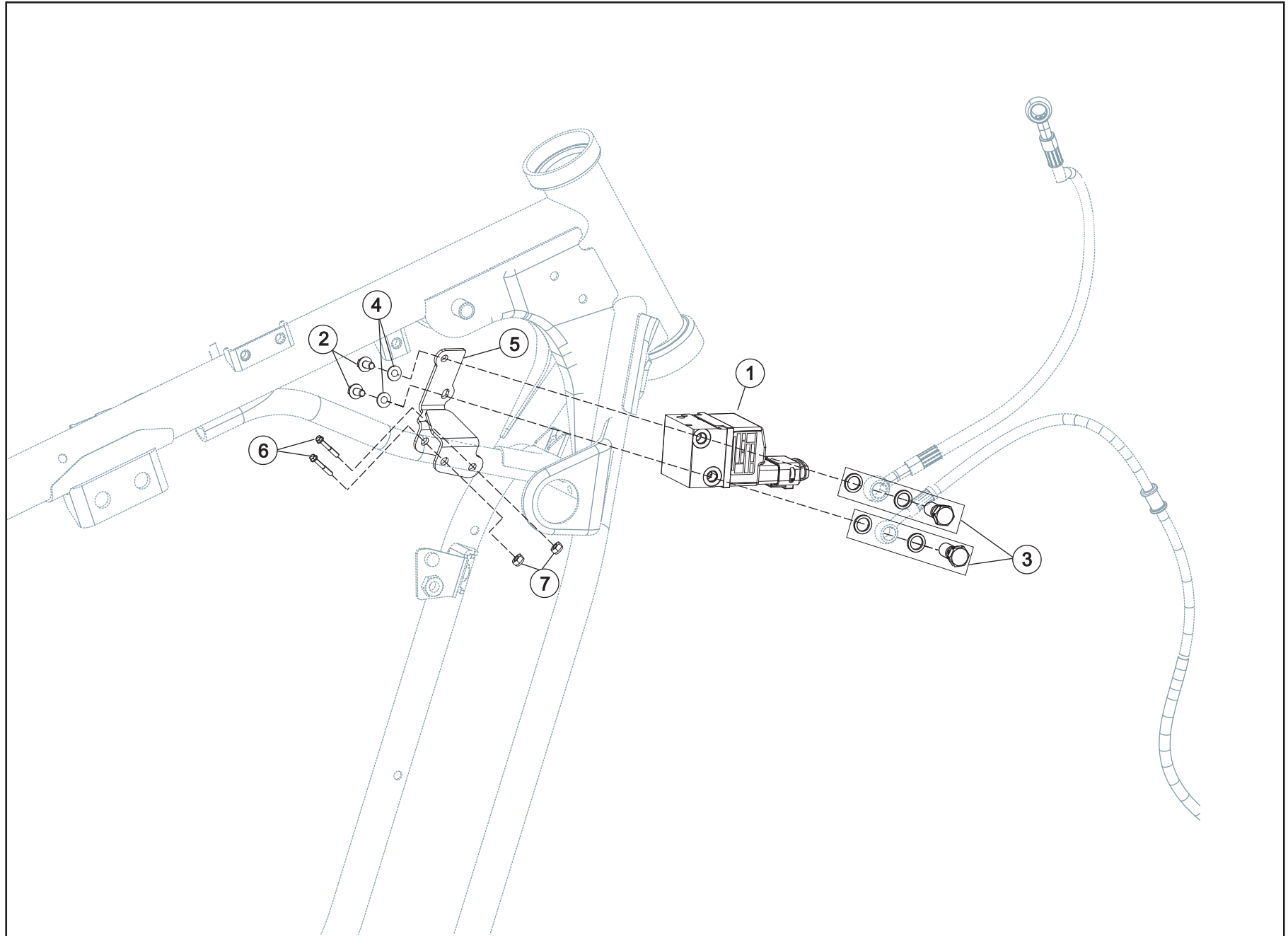
BRAKE SYSTEM FRONT (SINGLE CHANNEL ABS)



BRAKE SYSTEM FRONT (SINGLE CHANNEL ABS)

SR. NO.	PART NO.	PART DESCRIPTION	FRT	QTY	
1	T1901KKW0020N	BLEEDER KIT	0.5	1	
2	T1901KKW0050N	FRONT BRAKE PAD KIT	0.3	1	
3	T1901KKW0030N	PAD SPRING KIT	0.2	1	
4	T1901KKW0060N	BOOT KIT	0.4	1	
5	T1901HKW0060N	MASTER CYLINDER UPPER HOLDER	0.1	1	
6	T1901HKW0050N	BOLT MASTER CYLINDER	0.1	2	
7	T1901HKW0020N	RESERVOIR KIT	0.2	1	
8	T1901HKW0100N	DIAPHRAM KIT	0.2	1	
9	T1901HKW0090N	OIL LEVEL WINDOW KIT	0.3	1	
10	T19010KW0010N	BRAKE ASSY FRONT COMPLETE	0.7	1	
11	T1901HKW0070N	FRONT BRAKE SWITCH ASSY	0.2	1	
12	T1901HKW0080N	BRAKE SWITCH SCREW	0.1	1	
13	T1901CKW0030N	FRONT BRAKE LEVER NUT	0.1	1	
14	T1901CKW0020N	FRONT BRAKE LEVER BOLT	0.1	1	
15	T1901CKW0010N	FRONT BRAKE LEVER	0.1	1	
16	T1901HKW0030N	MASTER CYLINDER PISTON KIT	0.8	1	
17	T1901KKW0100N	PUSH ROD ASSLY KIT	0.8	1	
18	T1901HKW0110N	RUBBER_MASTER CYLINDER	0.8	1	
19	T1901JKW0020N	BANJO BOLT KIT	0.7	2	
20	SF0102572	CALIPER MOUNTING BOLT	0.2	2	
21	T19010KW0020N	CALIPER FRONT BRAKE RH	0.8	1	
22	T1901JKW0040N	HOSE FRONT ABS TO CALIPER_KIT	0.7	1	
23	T1901JKW0030N	HOSE FRONT M/C TO ABS_KIT	0.8	1	
24	T2001DKE0020N	FRONT MASTER CYLINDER – LEVER ASSY	0.2	1	

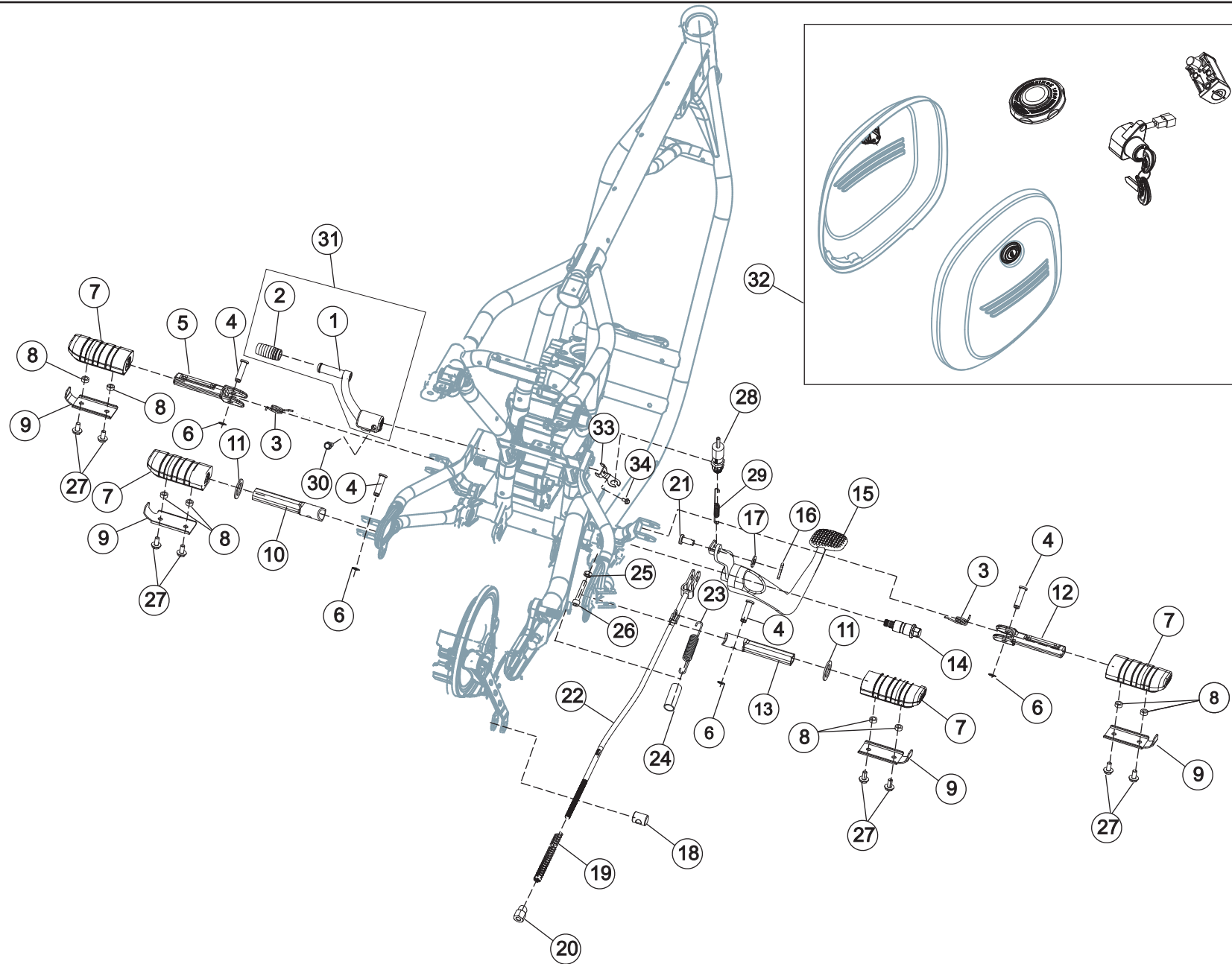
ANTI-LOCK BRAKING SYSTEM (ABS) SINGLE CHANNEL



ANTI-LOCK BRAKING SYSTEM (ABS) SINGLE CHANNEL

SR. NO.	PART NO.	PART DESCRIPTION	FRT	QTY	
1	T19010KW0091N	ABS WET UNIT SINGLE CHANNEL	0.5	1	
2	2W_SF0102080	FLANGE BOLT M5X10	0.2	2	
3	T1901JKW0020N	BANJO BOLT KIT	0.2	2	
4	TSF0401123	WASHER M5X12 (BLACK)	0.2	2	
5	T08000KW0420N	SINGLE CHANNEL ABS MOUNTING BRACKET	0.5	1	
6	SP0906032	FLANGE BOLT SH - M6 X 40	0.2	2	
7	TSF0318007	M6 NYLOC NUT (BLACK)	0.2	2	

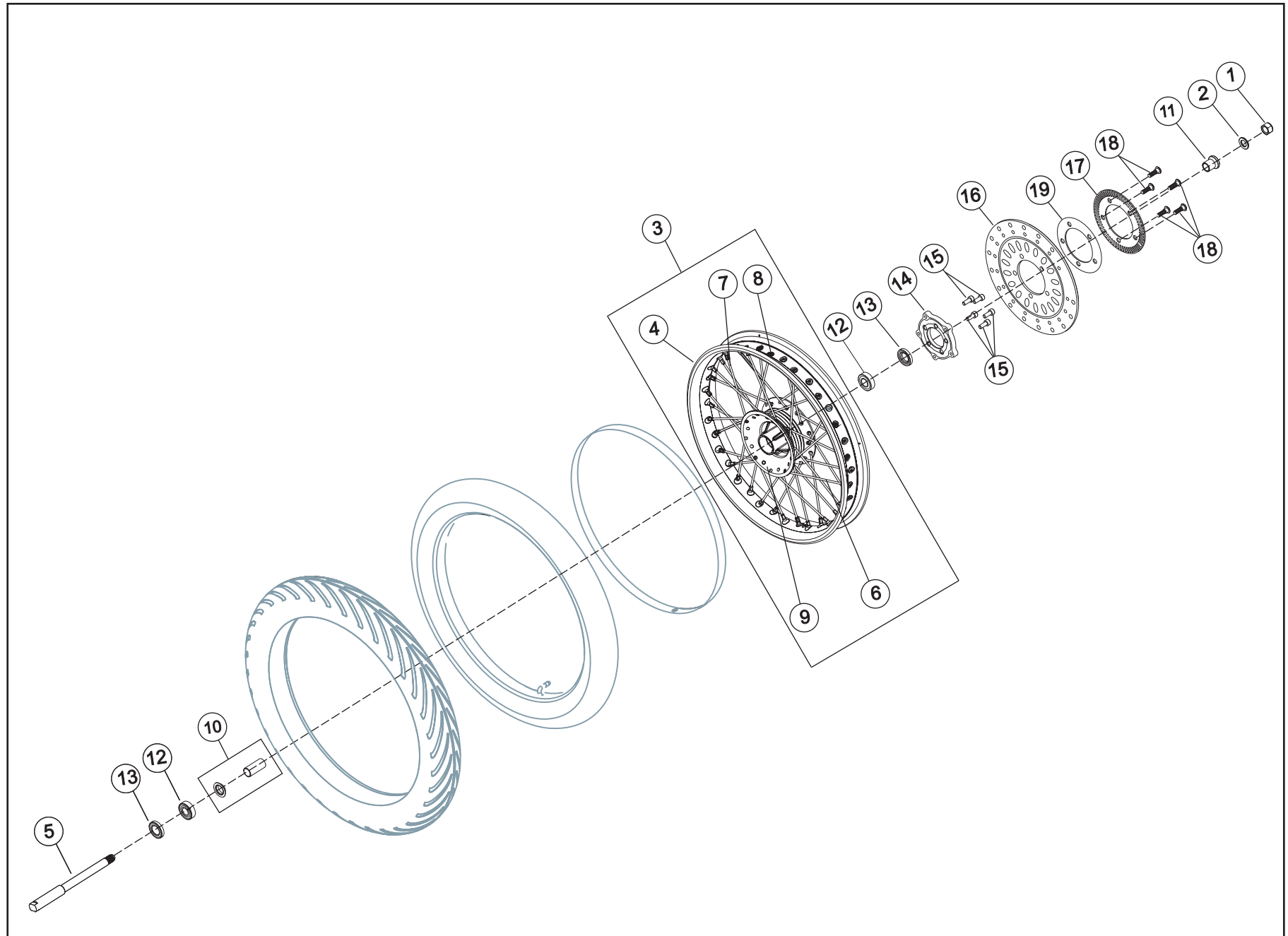
FOOT REST ASSEMBLY/ REAR BRAKE PEDAL/ GEAR SHIFT LEVER / LOCK SET



FOOT REST ASSEMBLY/ REAR BRAKE PEDAL/ GEAR SHIFT LEVER / LOCK SET

SR. NO.	PART NO.	PART DESCRIPTION	FRT	QTY	
1	T0215DKW0020N	GEAR SHIFT LEVER	0.1	1	
2	MH00590000400	GRIP GEAR LEVER	0.1	1	
3	T2201AKW0130E	SPRING TORSION RIDER FOOTREST	0.1	2	
4	T2201AKW0140B	FOOTREST ROD PIVOT	0.1	4	
5	T2201AKW0040N	TUBE FRONT FOOT REST LH	0.3	1	
6	MH01890000800	SEEGER DIAMETER 5 UNI 7434	0.2	4	
7	T2201BKW0060N	FOOT REST GRIP	0.3	4	
8	T2201AKW0110N	SPACER FOOTREST GRIP	0.2	8	
9	T2201AKW0100N	BRACKET FOOTREST GRIP	0.2	4	
10	T2201BKW0040N	TUBE PILLION FOOTREST LH	0.3	1	
11	T2201BKW0130N	PLATE PILLION FOOTREST	0.2	2	
12	T2201AKW0090N	TUBE FRONT FOOT REST RH	0.3	1	
13	T2201BKW0120N	TUBE PILLION FOOTREST RH	0.3	1	
14	T20010KW0100N	PIN PIVOT, REAR BRAKE PEDAL	0.2	1	
15	T20010KW0070N	REAR BRAKE LEVER SUB ASSEMBLY	0.4	1	
16	MF01920001500	A02-SPLIT PIN 2 x 16 IS:549	0.1	1	
17	TSF0401129	WASHER M8 (8.4x17x1.6)	0.1	1	
18	T20000KW0060N	HOLDER, REAR BRAKE ROD	0.1	1	
19	T20000KW0150N	COMPRESSION SPRING (REAR BRAKE ROD)	0.1	1	
20	T20000KW0070N	ADJUSTER, REAR BRAKE ROD	0.1	1	
21	T20000KW0050N	PIN PIVOT, REAR BRAKE ROD	0.2	1	
22	T1201GKW0020N	REAR BRAKE ROD ASSY	0.4	1	
23	T20010KW0110N	RETURN SPRING, REAR BRAKE PEDAL	0.2	1	
24	T20000KW0140N	RUBBER SLEEVE, RETURN SPRING	0.2	1	
25	SF0301005	NUT HEX M6X1X5X8XZN	0.2	1	
26	SF0212027	SCREW RDSKT M6X1X40XA2-70	0.2	1	
27	95701-06012-00	BOLT FL.6 X 12	0.2	8	
28	MF00730000600	STOP SWITCH ASSY (REAR BRAKE)	0.3	1	
29	T20010KW0120N	SPRING, BRAKE SWITCH	0.3	1	
30	SP0906029	FLANGE BOLT M6 X 20	0.2	1	
31	T0215DKW0010N	GEAR SHIFT LEVER ASSLY(SUB ASSEMBLY)	0.2	1	
32	T08000KW0350N	LOCK SET KIT_J1A	0.8	1	
33	T08000KW0410N	STOP SWITCH BRACKET (REAR BRAKE)	0.3	1	
34	SP0906041	FLANGED HEAD BOLT-SH M6X12	0.3	1	

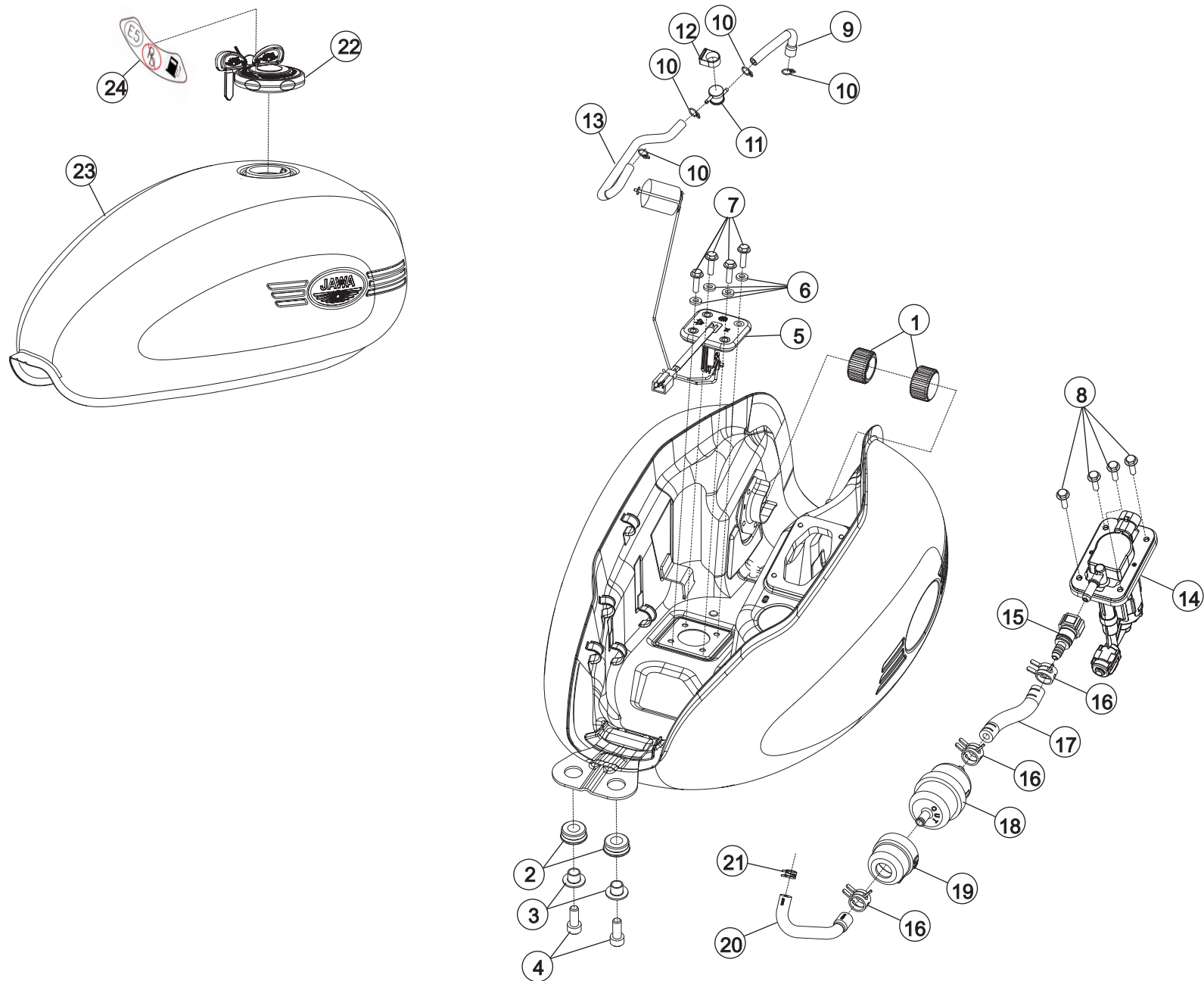
FRONT WHEEL ASSEMBLY



FRONT WHEEL ASSEMBLY

SR. NO.	PART NO.	PART DESCRIPTION	FRT	QTY	
1	TSF0318003	SELF LOCK NUT M16	0.2	1	
2	TSF0400010	WASHER 16 MM	0.2	1	
3	T06010KW0040N	RIM ASSY, FRONT	1.0	1	
4	T0601AKW0010N	RIM, SPOKE WHEEL FRONT (2.15x18)	1.0	1	
5	T0601GKW0040N	AXLE, FRONT WHEEL	0.2	1	
6	T0601JKW0010N	INNER SPOKE, FRONT	1.0	18	
7	T0601JKW0020N	OUTER SPOKE, FRONT	1.0	18	
8	T0601JKW0030N	SPOKE NIPPLE	1.0	36	
9	T0601HKW0020N	FRONT WHEEL HUB COMP, MACHINING	1.0	1	
10	T0601CKW0050N	SPACER ASSY INNER, FRONT WHEEL	0.3	1	
11	T0601CKW0070N	EXTERNAL SPACER RH, FRONT	0.3	1	
12	T0601DKW0021N	WHEEL BEARING 6203 (17x40x12)	0.4	2	
13	T0601EKW0021N	FRONT DUST SEAL (A22x40x7)	0.4	2	
14	T0601HKW0030N	COUPLER FOR FRONT HUB & DISC, MACHINING	0.5	1	
15	SP0308009	SOCKET HEAD SCREW M8X20 (10.9 GRADE)	0.2	5	
16	T0601AKW0020N	FRONT DISC (RH, D=280)	0.4	1	
17	T0602LKE0010N	TONER WHEEL FRONT	0.4	1	
18	SF0200097	SCREW SPECIAL M8X1.25X28XA2-70	0.2	5	
19	T0601CKW0080N	SHIM FOR TONER WHEEL FRONT'	0.4	1	

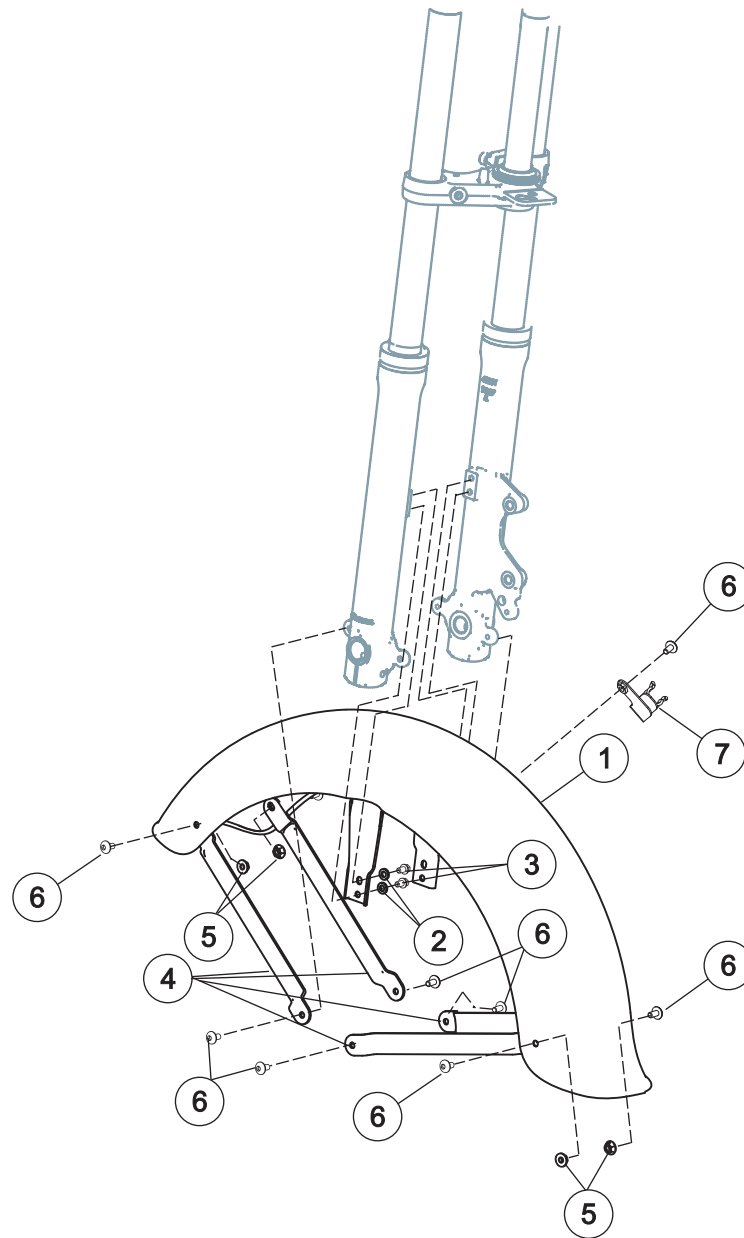
FUEL TANK ASSEMBLY



FUEL TANK ASSEMBLY

SR. NO.	PART NO.	PART DESCRIPTION	FRT	QTY	
1	T10010KW0180N	DAMPER TANK FRONT MOUNTING	0.6	2	
2	T10000KW0140N	DAMPER FUEL TANK MOUNTING REAR	0.6	2	
3	T13030KM0120N	COLLAR M8 REAR SIDE COVER MTG	0.6	2	
4	SP0308009	SOCKET HEAD SCREW M8X20 (10.9 GRADE)	0.4	2	
5	T1501PKW0010N	FUEL SENSOR UNIT	0.6	1	
6	T10030KM0060N	WASHER (FUEL GAUGE ASSY)	0.5	4	
7	SF0102046	HEX FLANGE BOLT M5X18	0.5	4	
8	TSF0102272	FUEL GAUGE-FLANGE BOLT (M5×12)	0.5	4	
9	T10000KW0100N	HOSE TANK TO ROLLOVER VALVE	0.5	1	
10	95002-02080	CLIP TUBE B8	0.5	4	
11	T10000KW0040N	ROLL OVER VALVE	0.5	1	
12	T10000KW0170N	ROLL OVER VALVE GROMMET	0.5	1	
13	T10010KW0190N	HOSE ROLLOVER VALVE TO CANISTER	0.5	1	
14	T10050KW0010N	FUEL PUMP PLASTIC	0.5	1	
15	T10050KE0050N	QUICK FUEL CONNECTOR 2	0.5	1	
16	T10050KE0030N	SPRING BAND CLAMP DIA 14	0.5	3	
17	T10000KW0020N	FUEL TUBE OUTLET	0.5	1	
18	MH00340000100	FUEL FILTER	0.5	1	
19	MH009000000800	SUPPORT FILTER	0.5	1	
20	T10010KW0140N	FUEL TUBE INLET	0.5	1	
21	T10050KE0100N	SPRING BAND CLAMP DIA 11	0.5	1	
22	T10020KW0060N	FUEL TANK CAP WITH KEY - JAWA J1A	0.1	1	
23	T10010KW0330A	FUEL TANK ASSEMBLY E4 MAROON RAL3005	0.3	1	
23.1	T10010KW0330L	FUEL TANK ASSEMBLY E4 GREY RAL7035	0.3	1	
24	T10020KW0020N	FUEL TYPE LABEL STICKER	0.1	1	

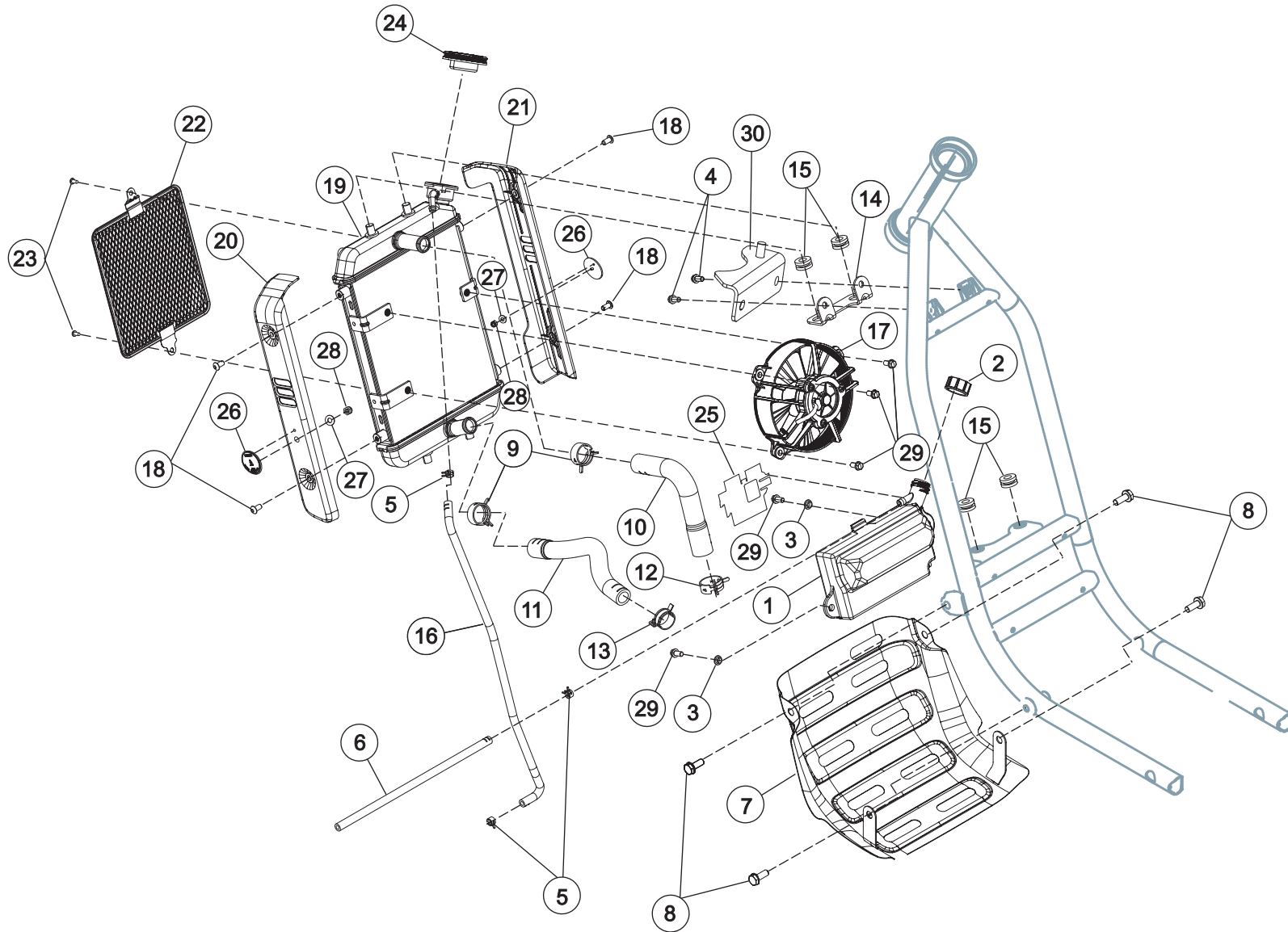
MUDGUARD ASSEMBLY- JAWA



MUDGUARD ASSEMBLY- JAWA

SR. NO.	PART NO.	PART DESCRIPTION	FRT	QTY
1	T13060KW0010A	FRONT FENDER-COWL MAROON RAL3005_SINGLE CHANNEL ABS	0.7	1
1.2	T13060KW0010L	FRONT FENDER-COWL GREY RAL7035_SINGLE CHANNEL ABS	0.7	1
2	TSF0401132	WASHER M6 (6.4x12x1.6)	0.2	4
3	TSF0102281	FLANGE BOLT M6X10	0.2	4
4	T08020KW0010A	FRONT FENDER STAY-COWL MAROON RAL3005	0.3	4
4.2	T08020KW0010L	FRONT FENDER STAY-COWL GREY RAL7035	0.3	4
5	65538380	NUT FLANGE 6MM (GREEN)	0.2	8
6	SF0212023	SCREW RDSKT M6X1X12XA2-70	0.2	9
7	T1901JKW0010N	CLAMPING BRKT_BRAKE HOSE	0.2	1

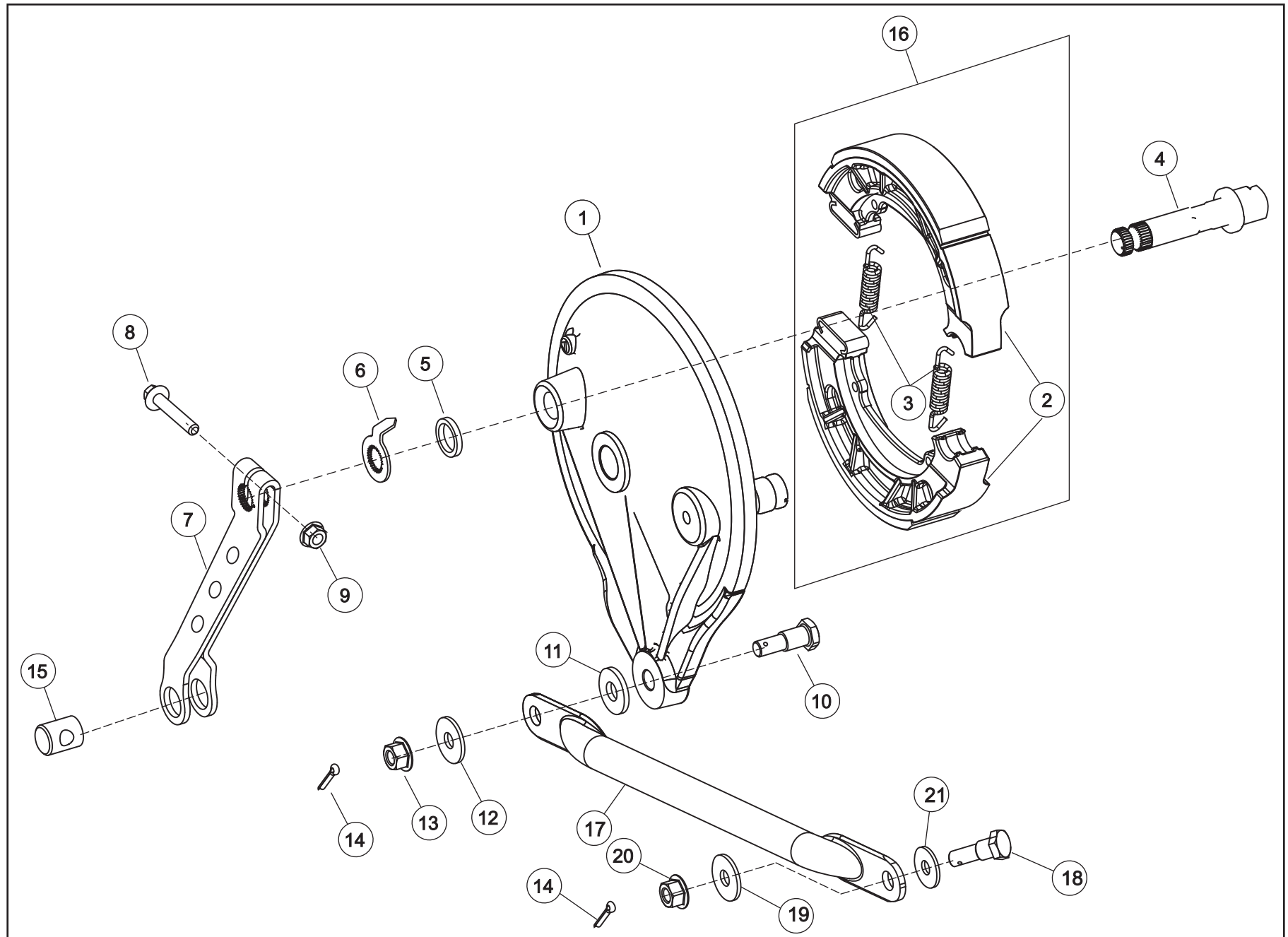
RADIATOR



RADIATOR

SR. NO.	PART NO.	PART DESCRIPTION	FRT	QTY	
1	T0401DKW0010N	TANK RECOVERY - COOLING SYSTEM	0.7	1	
2	T04000KW0130N	CAP COOLANT TANK	0.3	1	
3	MH01790003300	SPACER H=4 FOR M6	0.7	2	
4	TSF0102271	HEX FLANGE BOLT M6*18	0.7	2	
5	T10050KE0100N	SPRING BAND CLAMP DIA 11	0.7	3	
6	T04000KW0060N	HOSE BREATHER RECOVERY TANK	0.8	1	
7	T08000KW0300F	BASH PLATE	0.5	1	
8	SF0202054	SCREW HEX FL SL M8X1.25X20X8.8	0.4	4	
9	T0401DKE0290N	SPRING BAND CLAMP DIA 24	0.8	2	
10	T04000KW0030N	HOSE THERMOSTAT TO RADIATOR	0.8	1	
11	T04000KW0040N	HOSE RADIATOR TO PUMP	0.8	1	
12	T0401DKE0300N	SPRING BAND CLAMP DIA 27	0.8	1	
13	SF0705038	CLAMP SPRING BAND 22X12X1.3	0.8	1	
14	T04000KW0090E	UPPER BRACKET RADIATOR LOOSE MATT BLACK	0.4	1	
15	MH01610001700	GROMMET FOR M6	0.4	4	
16	T04000KW0020N	HOSE RADIATOR TO RECOVERY TANK	0.4	1	
17	T0401FKW0010N	RADIATOR FAN	0.4	1	
18	SF0212023	SCREW RDSKT M6X1X12XA2-70	0.4	4	
19	T04000KW0010N	RADIATOR SUB ASSEMBLY	0.9	1	
20	T13000KW0030E	COVER RADIATOR LH MATT BLACK	0.2	1	
21	T13000KW0050E	COVER RADIATOR RH MATT BLACK	0.2	1	
22	T0401AKW0010N	GRILL RADIATOR FRONT	0.2	1	
23	TSF0224080	BUTTON HEAD SOCKET SCREW M6X10	0.2	2	
24	T0401AKW0020N	PRESSURE CAP	0.1	1	
25	T13200KW0240N	STICKER RECOVERY TANK	0.2	1	
26	T1501FKW0070N	SIDE REFLEX REFLECTOR	0.2	2	
27	TSF0401123	WASHER M5X12	0.2	2	
28	SF0302015	NYLOC NUT M5	0.2	2	
29	SP0906041	FLANGED HEAD BOLT-SH M6X12	0.2	5	
30	T08010KW0490A	ADD-ON BRACKET EUIV MAROON RAL3005	0.4	1	
30.1	T08010KW0490L	ADD-ON BRACKET EUIV GREY RAL7035	0.4	1	

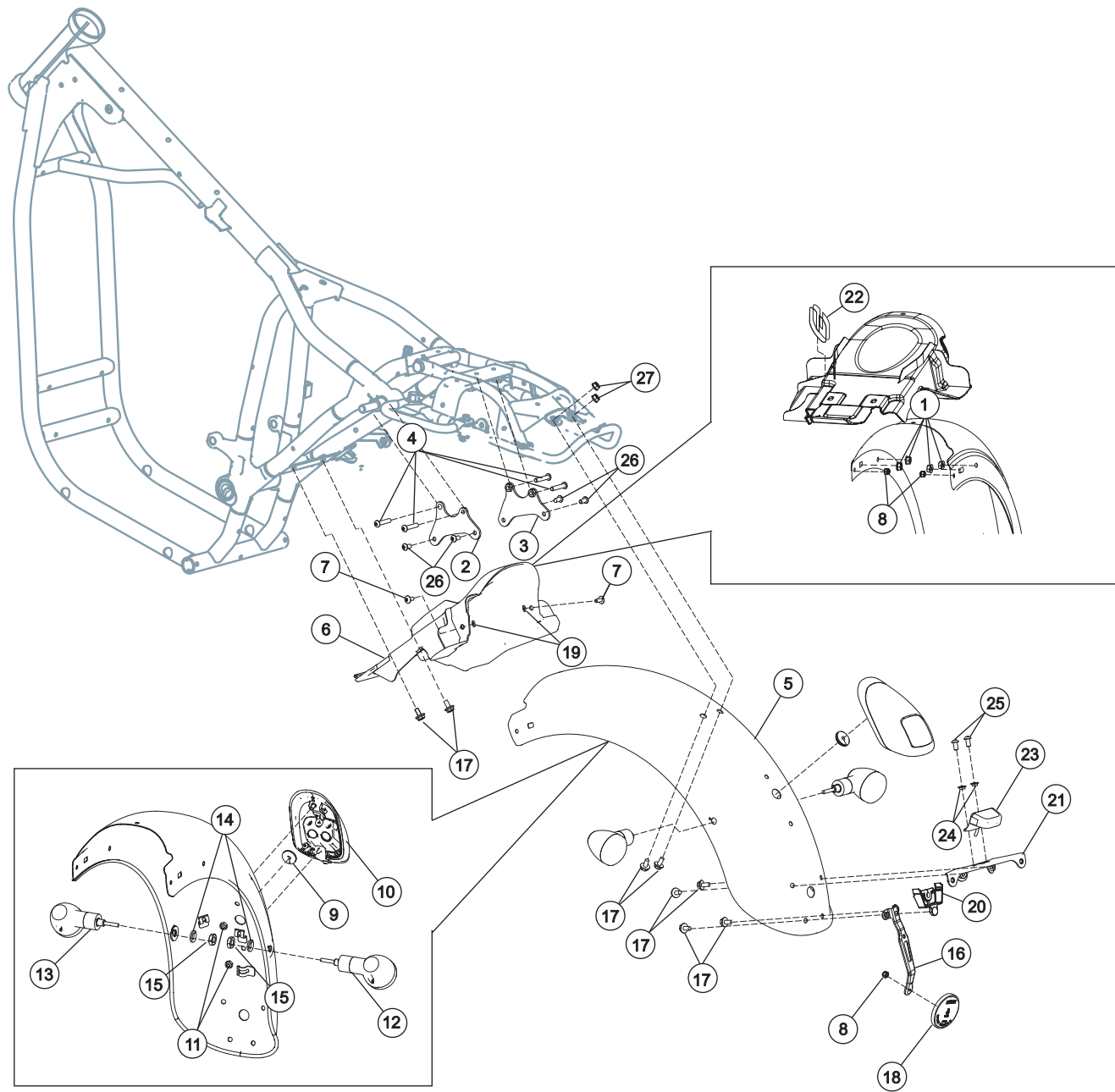
REAR BRAKE ASSEMBLY



REAR BRAKE ASSEMBLY

SR. NO.	PART NO.	PART DESCRIPTION	FRT	QTY	
1	T2001GKW0010N	REAR BRAKE PANEL	0.7	1	
2	T2001JKW0010N	BRAKE SHOE COMP	0.6	2	
3	T20010KW0060N	TENSION SPRING FOR REAR BRAKE SHOE	0.5	2	
4	T20010KW0040N	REAR BRAKE CAM	0.7	1	
5	29170090	FELT RING FOR FRONT BRAKE CAM	0.4	1	
6	T2001CKW0030N	REAR BRAKE WEAR INDICATOR	0.4	1	
7	T2001CKW0010N	REAR BRAKE ARM	0.4	1	
8	SF0102208	BOLT HEX FL M6X1X35X8.8	0.2	1	
9	SF0301005	NUT HEX FL M6X1X6X8 GR	0.2	1	
10	SF0101043	STEP BOLT M8x1.25	0.2	1	
11	MF01700000300	RUBBER WASHER (DIA 10x24x2.8)	0.2	1	
12	SF0400018	SPECIAL WASHER M8	0.2	1	
13	SF0303059	NUT HEX FL PR M8X1.25X8X8	0.2	1	
14	MF01920001500	A02-SPLIT PIN 2 X 16 IS:549	0.1	2	
15	T20000KW0060N	HOLDER, REAR BRAKE ROD	0.2	1	
16	T20010KW0050N	BRAKE SHOE ASSLY	0.5	1	
17	T2001GKW0020N	REAR BRAKE TORQUE LINK	0.4	1	
18	SP0108004	PIVOT SCREW - M8	0.3	1	
19	SF0402011	WASHER SPRING L M10X18.1X2.2XZN5	0.2	1	
20	TSF0318005	SELF LOCK NUT M8	0.2	1	
21	T18010UF0920N	WASHER_10.3*20*0.8	0.2	1	

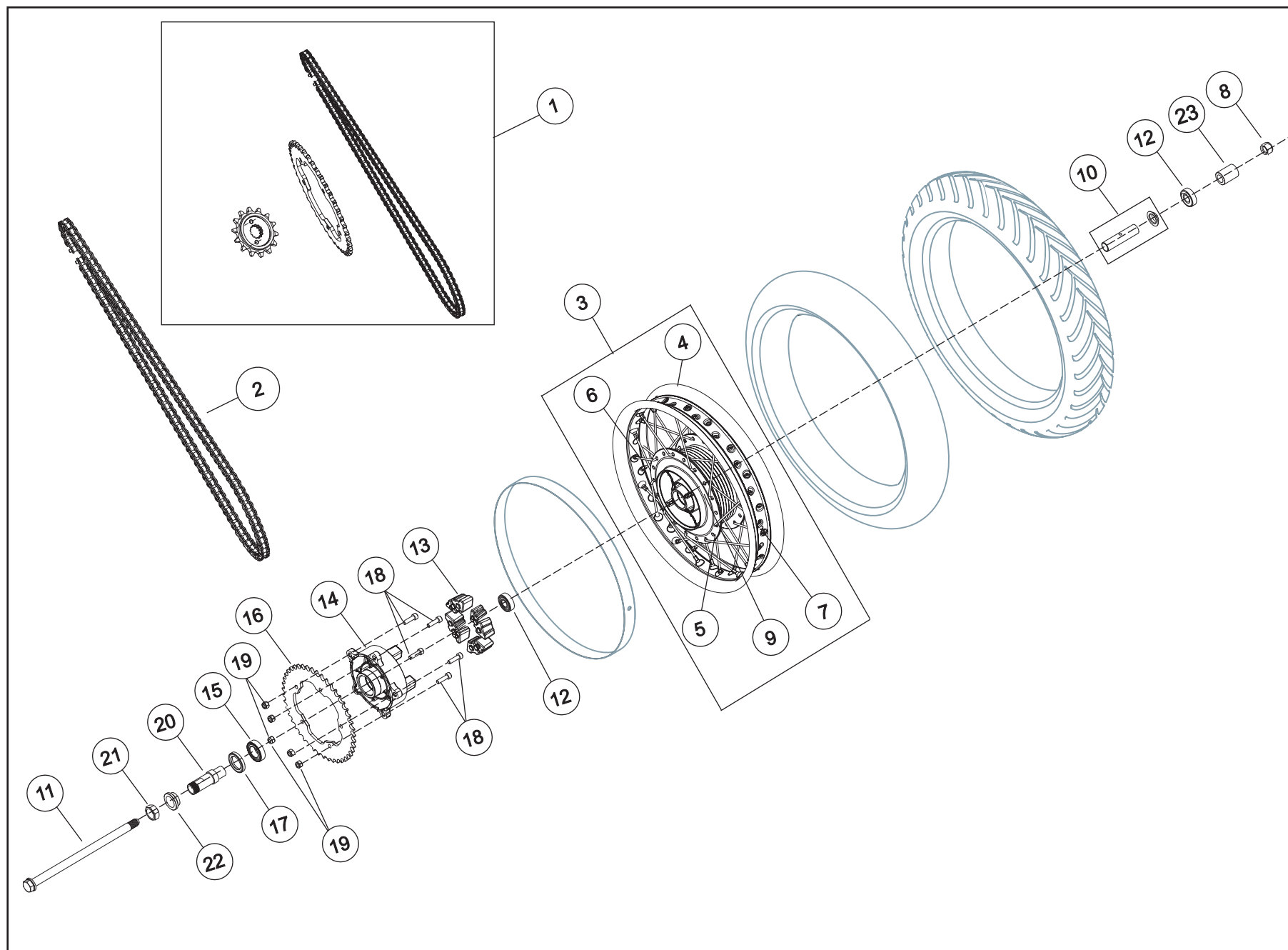
REAR FENDER ASSEMBLY



REAR FENDER ASSEMBLY

SR. NO.	PART NO.	PART DESCRIPTION	FRT	QTY
1	TSF0303063	NUT FLANGE M6	0.6	4
2	T08010KW0120N	REAR MUDGUARD MOUNTING BRACKET LH	0.6	1
2.1	T13070KW0120N	REAR MUDGUARD MOUNTING BRACKET LH BLACK	0.6	1
3	T1307AKW0020N	REAR MUDGUARD MOUNTING BRACKET RH	0.6	1
3.1	T13070KW0130N	REAR MUDGUARD MOUNTING BRACKET RH BLACK	0.6	1
4	SF0212027	SCREW RDSKT M6X1X40XA2-70	0.6	4
5	T1307AKW0010A	REAR MUDGUARD MAROON RAL3005	1.0	1
5.1	T1307AKW0010L	REAR MUDGUARD GREY RAL7035	1.0	1
6	T13070KW0030N	REAR MUDGUARD FRONT	1.0	1
7	TSF0212010	TRUSS HEAD SCREW M5x12 (BLACK)	0.3	2
8	SF0302015	NYLOC NUT M5	0.3	2
9	T13070KW0060N	GROMMET REAR MUDGUARD WIRING	0.3	1
10	T13010KW0200A	SUB-ASSY TAIL LAMP MAROON RAL3005	0.4	1
10.1	T13010KW0200L	SUB-ASSY TAIL LAMP GREY RAL7035	0.4	1
11	TSF0318007	M6 NYLOC NUT (BLACK)	0.2	2
12	T1501GKW0030N	TURN SIGNAL INDICATOR_REAR LH	0.3	1
13	T1501GKW0040N	TURN SIGNAL INDICATOR_REAR RH	0.3	1
14	93910007	SPRING WASHER B10 IS:3063	0.3	2
15	SF0301023	NUT HEX M10X1.25X5X8XZN	0.3	2
16	T13070KW0110A	REAR REFLECTOR MTG BRACKET E4 MAROON RAL3005	0.5	1
16.1	T13070KW0110L	REAR REFLECTOR MTG BRACKET E4 GREY RAL7035	0.5	1
17	95701-06012-00	BOLT FL.6X12	0.4	8
18	T1501FKW0060N	REAR REFLEX REFLECTOR	0.2	1
19	SF0401069	WASHER PLAIN M5X14X1	0.2	2
20	T15000KW0040N	REAR MUDGUARD COUPLER	0.2	1
21	T13070KW0100A	REAR NUMBER PLATE BRACKET E4 MAROON	0.4	1
21.1	T13070KW0100L	REAR NUMBER PLATE BRACKET E4 GREY RAL7035	0.4	1
22	T13050KW0010N	BEAD REAR MUDGAURD	0.2	1
23	T1501TKW0010N	NUMBER PLATE LAMP	0.4	1
24	MH01790003300	SPACER H=4 FOR M6	0.2	2
25	SF0212018	SCREW RDSKT M6X1X12XA2-70	0.3	2
26	SF0212023	SCREW RDSKT M6X1X12XA2-70	0.3	4
27	65538380	NUTFLANGE6MM(WHITE)	0.4	2

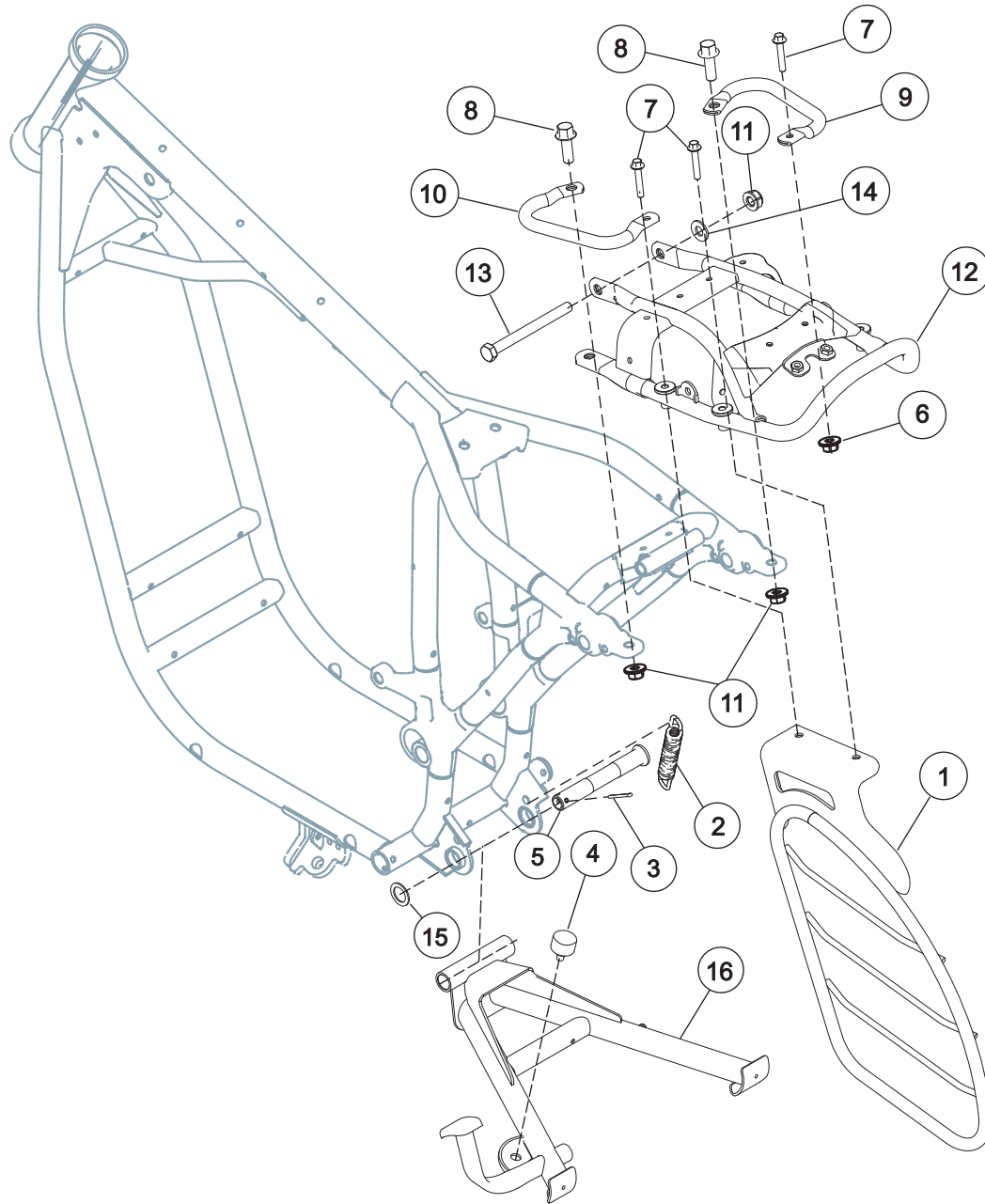
REAR WHEEL ASSEMBLY - SINGLE CHANNEL ABS



REAR WHEEL ASSEMBLY - SINGLE CHANNEL ABS

SR. NO.	PART NO.	PART DESCRIPTION	FRT	QTY	
1	T1201MKW0020N	KIT DRIVE CHAIN SPROCKET	1.0	1	
2	T14080KW0010N	CHAIN 98 LINKS	0.7	1	
3	T12010KW0120N	RIM ASSEMBLY REAR	0.9	1	
4	T1201KKW0010N	RIM, REAR SPOKE WHEEL (2.50x17)	2.0	1	
5	T1201KKW0020N	INNER SPOKE, REAR	2.0	18	
6	T1201KKW0030N	OUTER SPOKE, REAR	2.0	18	
7	T0601JKW0030N	SPOKE NIPPLE	2.0	36	
8	TSF0318003	SELF LOCK NUT M16	0.1	1	
9	T1201HKW0010N	REAR WHEEL HUB COMP, MACHINING	2.0	1	
10	T1201CKW0050N	SPACER ASSY INNER, REAR WHEEL	0.7	1	
11	Sf0100083	BOLT SPECIAL M16X1.5X305X10.9	0.2	1	
12	T0601DKW0021N	WHEEL BEARING 6203 (17x40x12)	0.6	2	
13	MH01270000500	CUSH DRIVE	0.6	4	
14	T12010KW0040N	CUSH DRIVE HOUSING, MACHINED	0.7	1	
15	T1201DKW0031N	CUSH DRIVE HOUSING BEARING 6005(25X47X12)	0.6	1	
16	T1201MKW0010N	CHAIN SPROCKET (REAR 45T)	0.7	1	
17	T1201EKW0021N	REAR LH DUST SEAL A31x47x7	0.6	1	
18	SP0308023	SOCKET HEAD SCREW M8X28	0.7	5	
19	MH01680001700	SELF-TAPPING NUT FOR M8 (WHITE)	0.7	5	
20	T1201CKW0040N	AXLE, CUSH DRIVE HOUSING	0.6	1	
21	SF0301197	HEX NUT M24x1	0.3	1	
22	T1201CKW0020N	SPACER REAR WHEEL (LH SIDE)	0.3	1	
23	T1201CKW0030N	SPACER REAR WHEEL (RH SIDE)	0.3	1	

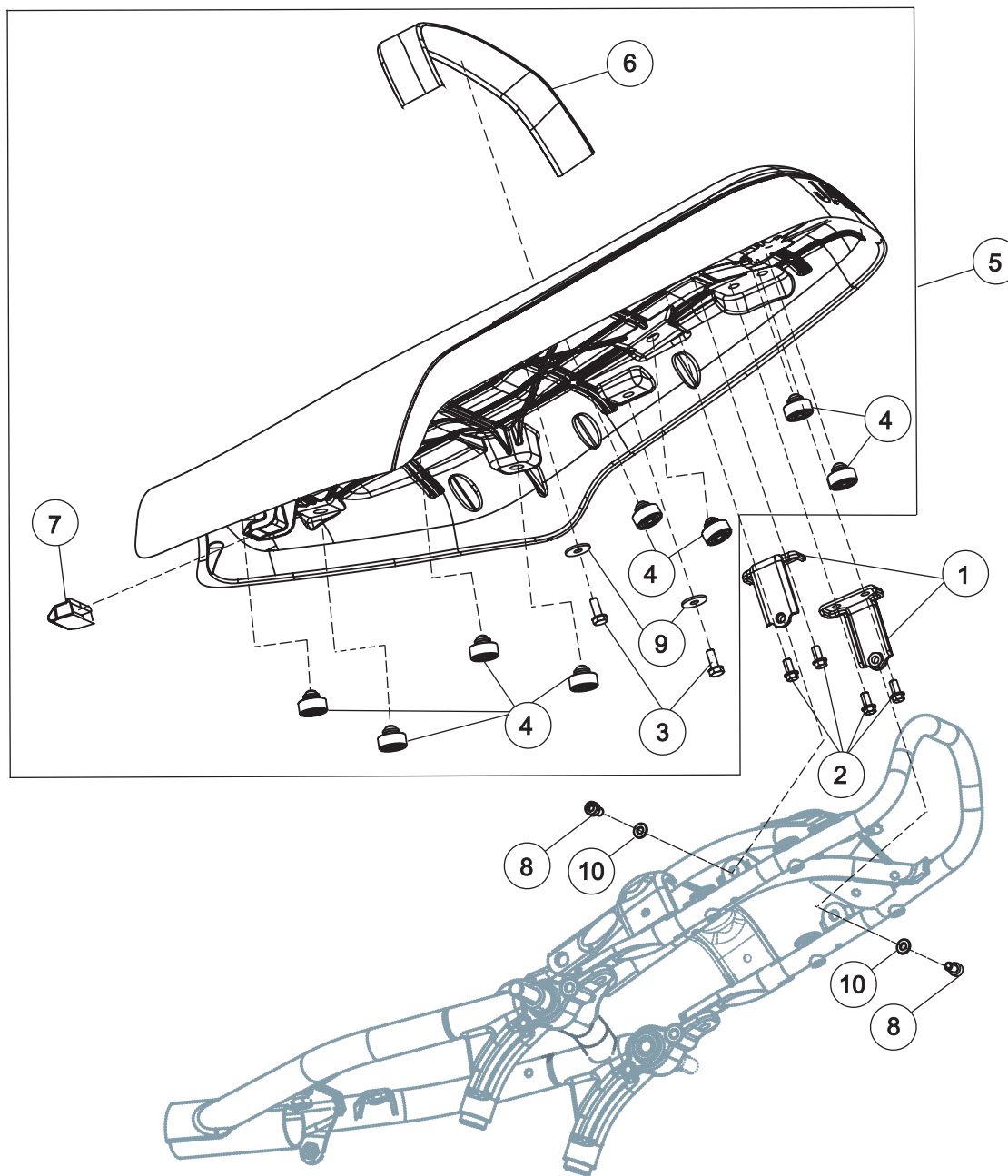
MAIN STAND / SUB - FRAME ASSEMBLY



MAIN STAND / SUB - FRAME ASSEMBLY

SR. NO.	PART NO.	PART DESCRIPTION	FRT	QTY
1	T14050KW0020N	SAREE GUARD	0.5	1
2	T08060KG0050G	MAIN STAND SPRING	0.2	1
3	SF0906002	2W_SPLIT PIN 3.2X28	0.2	1
4	T0901HAE1900N	MAIN STAND STOPPER RUBBER	0.2	1
5	T23000KW0030N	PIVOT TUBE	0.6	1
6	SF0303067	NUT HEX FL PR M61.07.08	0.4	1
7	SP0906032	FLANGE BOLT SH - M6 X 40	0.4	3
8	SF0202068	SCREW HEX FL M10X1.5X40X10.9	0.4	2
9	T08000KW0290W	PILLION HANDLE SIDE LH BLACK GLOSSY	0.3	1
10	T08000KW0240W	PILLION HANDLE SIDE LH BLACK GLOSSY	0.3	1
11	SF0315017	NUT HX NYL FL M10X1.50X13.5X10	0.2	3
12	T08000KW0210W	SUB FRAME COMP BLACK GLOSSY	0.7	1
13	SF0101088	BOLT HEX M10X1.5X110X8.8XZN	0.3	1
14	TSF0401130	WASHER M10 (10X22X2.0)	0.3	1
15	T18010KS0010N	WASHER PLAIN (17.5X26X1.5)	0.2	1
16	T2301BKW0020E	MAIN STAND ASSY SEMI GLOSS BLACK	0.6	1

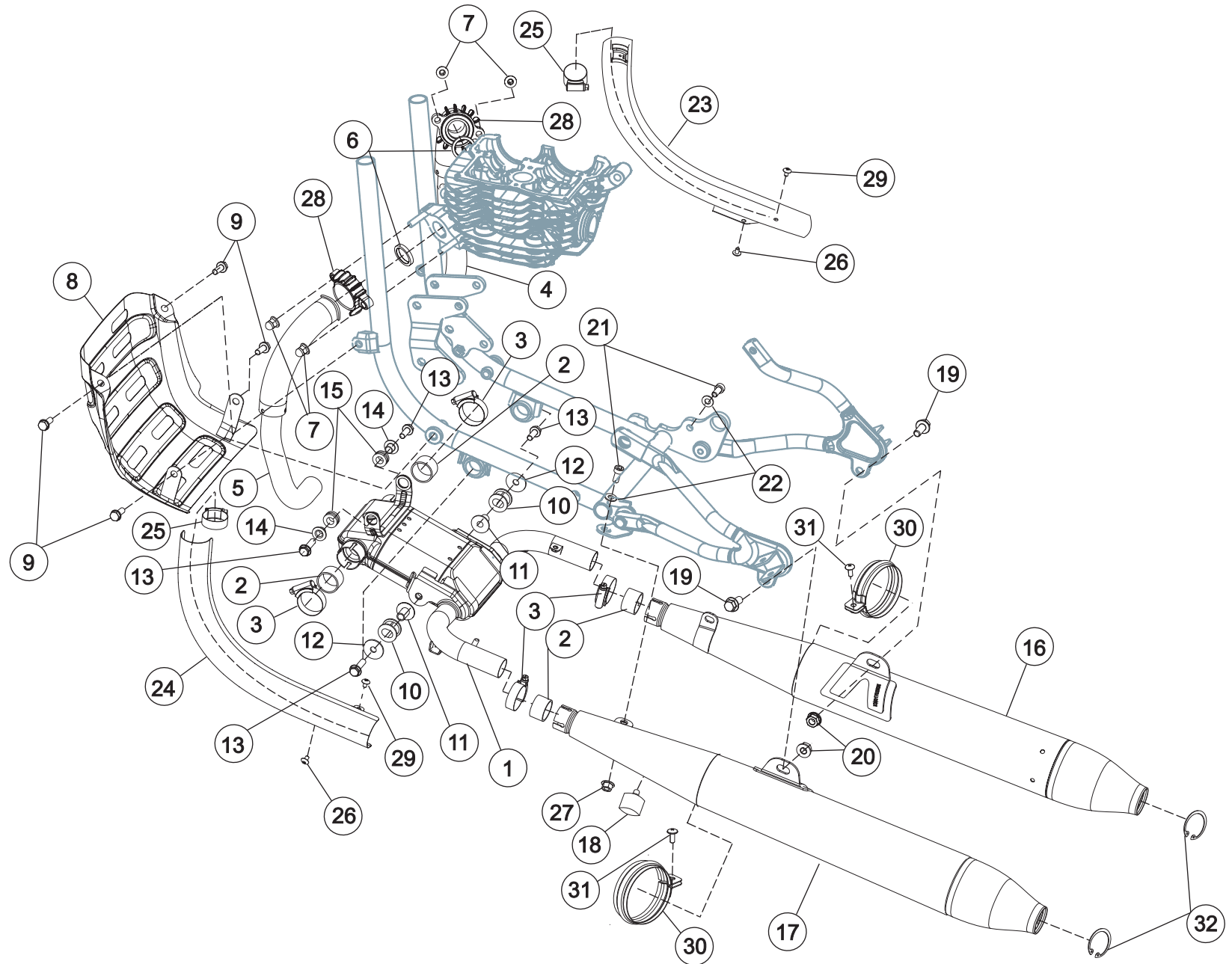
SEAT ASSEMBLY



SEAT ASSEMBLY

SR. NO.	PART NO.	PART DESCRIPTION	FRT	QTY	
1	T09010KW0020N	SEAT MTG. BRACKET	0.4	2	
2	Sp0906041	FLANGED HEAD BOLT-SH M6X12	0.4	4	
3	95701-06016-00	BOLT FLANGE 6X16	0.4	2	
4	T0901EKE1910N	SEAT DAMPER 9 MM	0.3	8	
5	T09010KW0050N	SEAT ASSEMBLY (JAWA)	0.2	1	
6	T09000KW0030N	SEAT STRAP	0.3	1	
7	T0901EKW0010N	SEAT TONGUE RUBBER DAMPER	0.2	1	
8	Sp0306011	SOCKET HEAD SCREW M6x16	0.2	2	
9	TSF0401124	WASHER 6.5X20X1.6	0.2	2	
10	TSF0401132	WASHER M6 (6.5x12x2)	0.2	2	

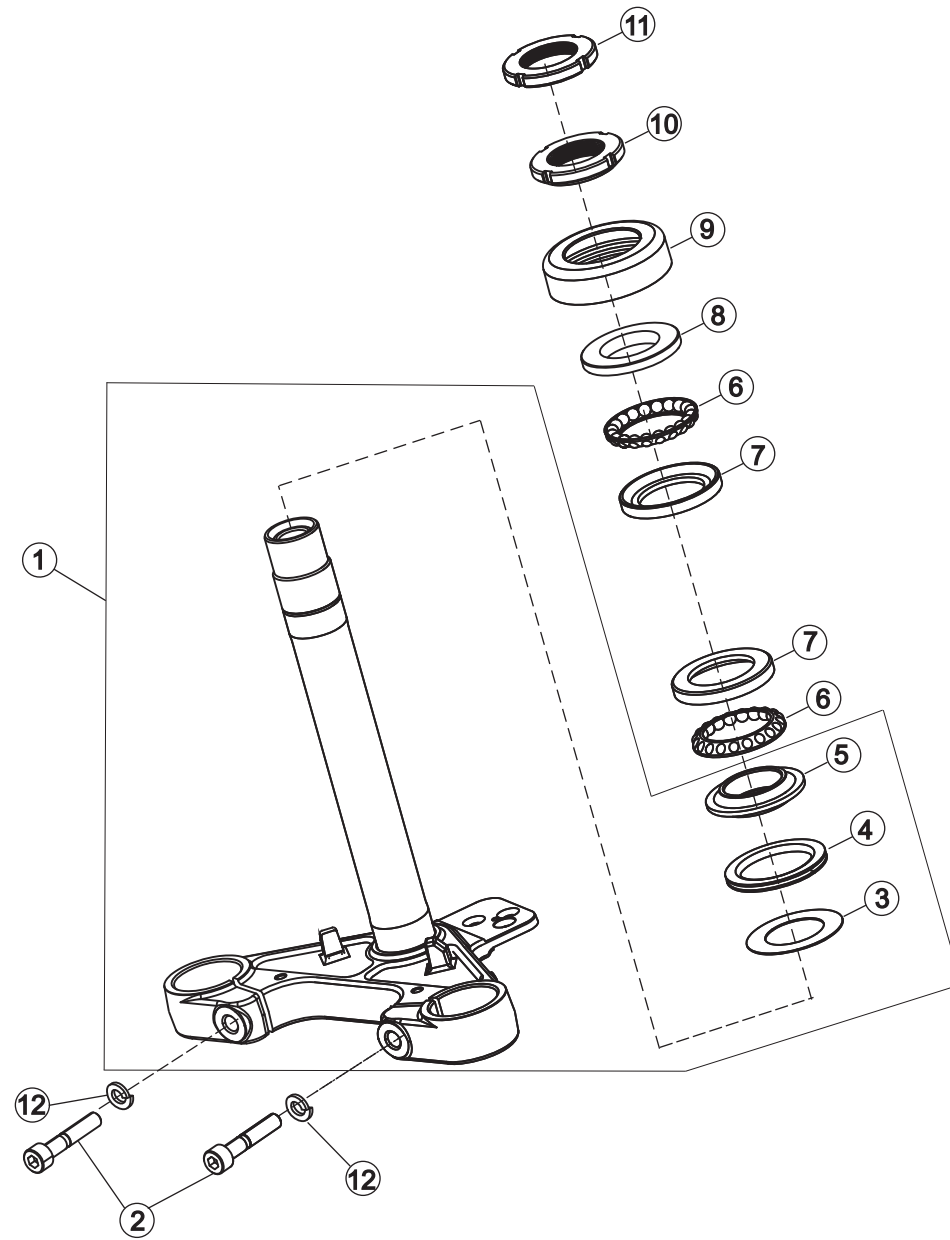
SILENCER ASSEMBLY



SILENCER ASSEMBLY

SR. NO.	PART NO.	PART DESCRIPTION	FRT	QTY	
1	T0301AKW0010N	CAT BOX ASSY. EU	1.0	1	
2	T0304BKW0020N	GRAPHITE GASKET	0.7	4	
3	SF0700028	CLAMP SPECIAL M35X1.0X19	0.5	4	
4	T03000KW0010N	HEADER PIPE RH ASSY	0.5	1	
5	T03000KW0020N	HEADER PIPE LH ASSY	0.5	1	
6	T0304BKW0010N	EXHAUST GASKET	0.5	2	
7	SF0300075	NUT SPECIAL M8X1.25X17X6	0.2	4	
8	T08000KW0300F	BASH PLATE	0.4	1	
9	SF0202054	SCREW HEX FL SL M8X1.25X20X8.8	0.4	4	
10	T0304CKE1480N	MUFFLER SUPPORT GROMMET REAR	1.0	2	
11	T0304CKE1490N	MUFFLER SUPPORT SLEEVE REAR	1.0	2	
12	SP3701203	WASHER (30x9x2)	0.2	2	
13	SF0102466	BOLT HEX FL M8X1 25X30X10 9	0.2	4	
14	T13030KM0120N	COLLAR M8 REAR SIDE COVER MTG	0.3	2	
15	T13030KM0110N	GROMMET M8 REAR SIDE COVER MTG	1.0	2	
16	T0301AKW0040N	BODY MUFFLER ASSY RH EU	0.5	1	
17	T0301AKW0050N	BODY MUFFLER ASSY LH EU	0.5	1	
18	T23010KW0010N	RUBBER STOPPER	0.2	1	
19	SF0102251	BOLT HEX FL M10X1.25X22.5X10.9	0.3	2	
20	SP2901001	NUT HEX FL M10X1.25X10X10	0.3	2	
21	SP0224002	SOCKET HEAD SCREW M8X18 (BLACK)	0.3	2	
22	TSF0401129	WASHER M8 (8.4X17X1.6)	0.3	2	
23	T0303AKW0010N	STYLE SHIELD RH	0.4	1	
24	T0303AKW0020N	STYLE SHIELD LH	0.4	1	
25	SF0703002	HOSE CLIP W M35X0.7X12.7XSS PL	0.3	2	
26	SP0705003	PAN HEAD SCREW M5X8 (TBEI) SS	0.4	2	
27	SF0303059	NUT HEX FL PR M8X1.25X8X8	0.2	1	
28	T03000KW0060N	EXHAUST FLANGE	0.2	2	
29	TSF0212010	TRUSS HEAD SCREW M5X12 (BLACK)	0.4	2	
30	T0303AKW0050N	STYLE RING	0.1	2	
31	90115-G02-0000-IK	SCREW 6X16	0.1	2	
32	SF0602002	CIRCLIP INT - LUG 30X1.2XPH	0.1	2	

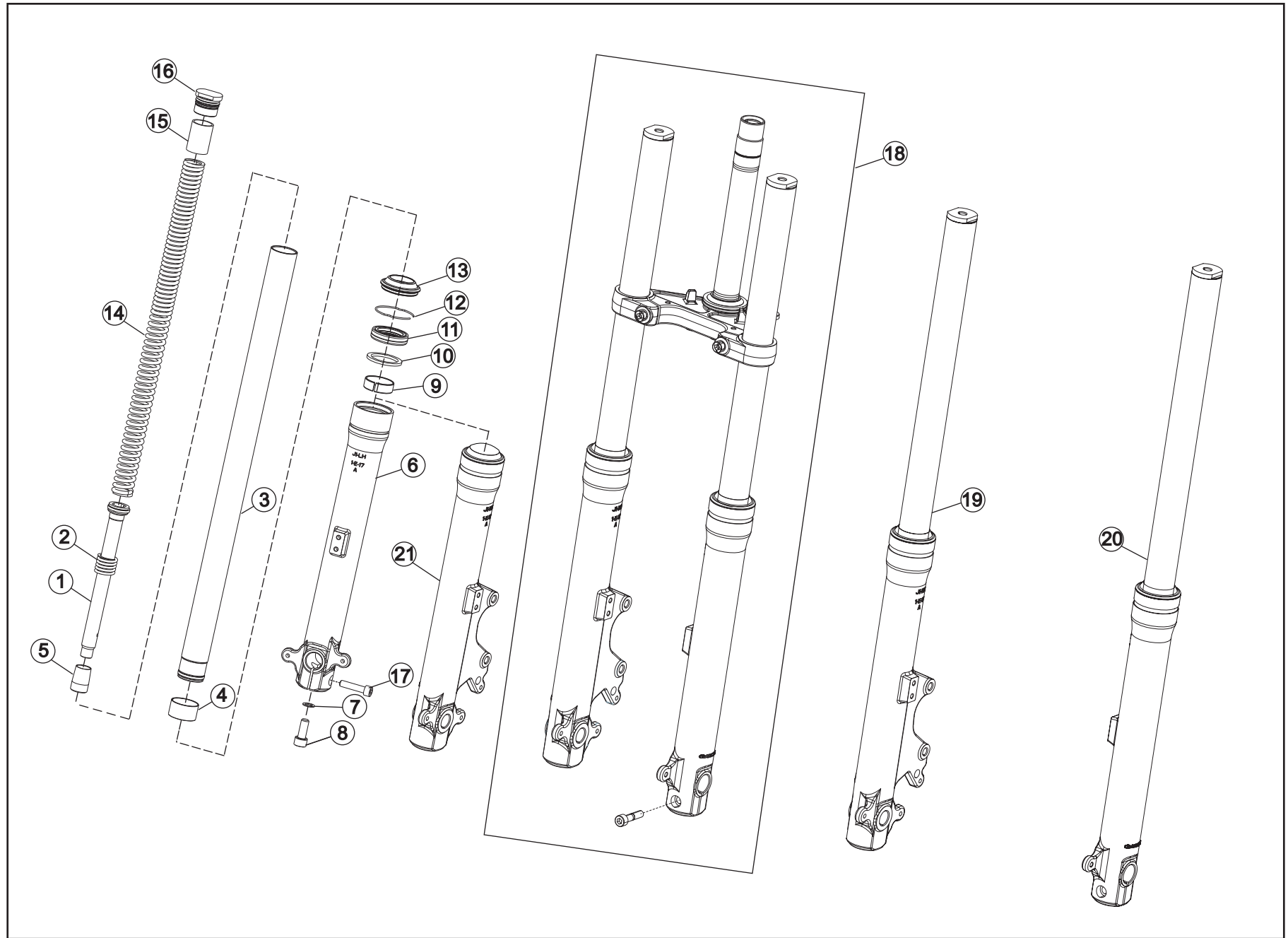
STEERING



STEERING

SR. NO.	PART NO.	PART DESCRIPTION	FRT	QTY
1	T05000KW0050N	UNDER BRACKET ASSEMBLY	1.0	1
2	T0502BKW0040N	SOCKET HEAD BOLT(M8X1.25X42)	0.4	2
3	T0505BKW0020N	STEERING DUST SEAL WASHER	1.0	1
4	T0505BKW0010N	STEERING DUST SEAL	1.0	1
5	T05000KW0070N	BOTTOM INNER BALL RACE	1.0	1
6	T0505NKW0010N	STEERING BALL (DIA 6.35) WITH CAGE	1.0	2
7	T05010KW0020N	OUTER BALL RACE	1.0	2
8	T05000KW0090N	TOP INNER BALL RACE	1.0	1
9	T05010KW0010N	DUST CAP TOP STEERING BEARING	1.0	1
10	T0505CKW0010N	STEERING NUT	0.9	1
11	T0505CKW0020N	STEERING LOCK NUT	0.9	1
12	T0502BKW0030N	SPRING WASHER M8	0.3	2

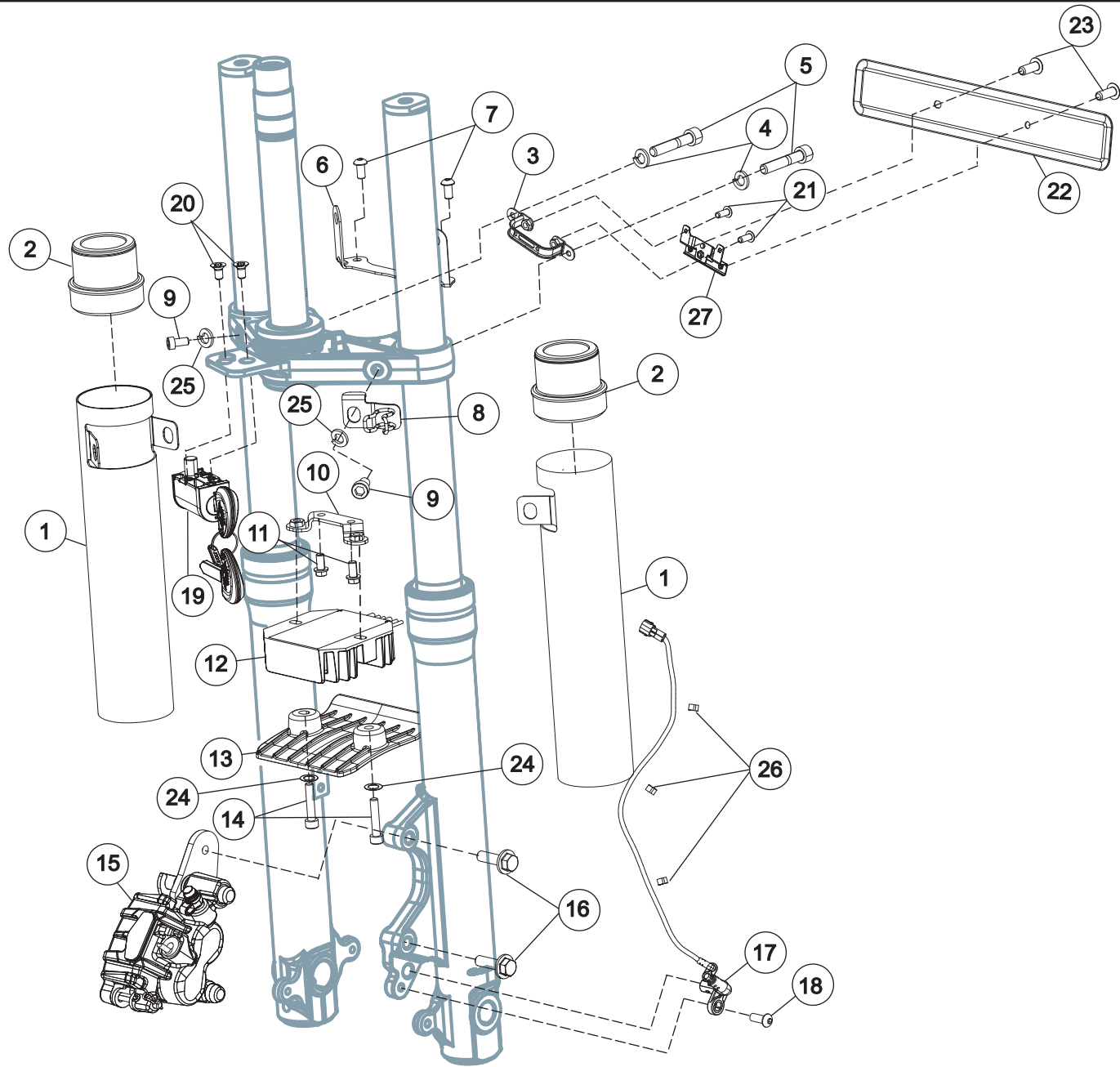
FRONT FORK ASSEMBLY



FRONT FORK ASSEMBLY

SR. NO.	PART NO.	PART DESCRIPTION	FRT	QTY	
1	T05010KW0080N	PISTON(PISTON+PISTON RING)	1.0	1	
2	T05010KW0100N	FRONT FORK REBOUND SPRING	1.0	1	
3	T05010KW0090N	INNER TUBE ASSEMBLY	1.0	1	
4	T05010KW0110N	SLIDE BUSH	1.0	1	
5	T05010KW0120N	SPINDLE TAPER	1.0	1	
6	T05010KW0270N	OUTER TUBE LH	1.0	1	
7	T05010KW0140N	GASKET	1.0	1	
8	T05010KW0150N	BOLT M10X1	1.0	1	
9	T05010KW0160N	GUIDE BUSH	1.0	1	
10	T05010KW0170N	DU BUSH WASHER	1.0	1	
11	T05010KW0180N	OIL SEAL	1.0	1	
12	T05010KW0190N	CIRCLIP(SANP-RING)	1.0	1	
13	T05010KW0200N	DUST SEAL	1.0	1	
14	T05010KW0210N	SPRING-1	0.8	1	
15	T05010KW0230N	SPACER	0.8	1	
16	T05010KW0250N	BOLT CAP ASSLY	0.6	1	
17	T05010KW0260N	SOCKET HEAD BOLT(M8X1.25X35)	0.2	1	
18	T05000KW0010N	FRONT FORK ASSY	1.5	1	
19	T05000KW0020N	FORK LEG ASSY LH	0.8	1	
20	T05000KW0030N	FORK LEG ASSY RH	0.8	1	
21	T05010KW0130N	OUTER TUBE RH	1.0	1	

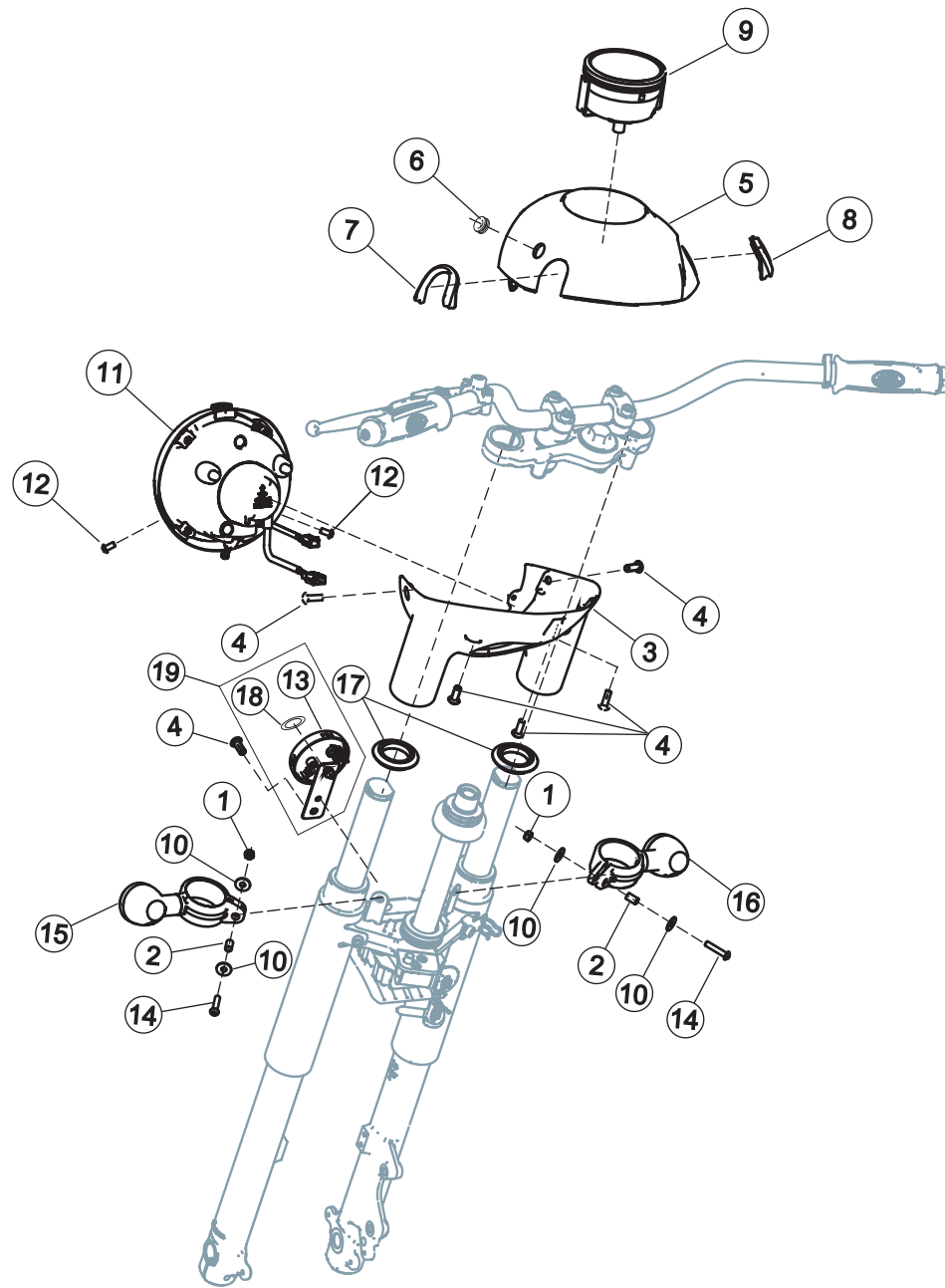
FRONT FORK MOUNTINGS



FRONT FORK MOUNTINGS

SR. NO.	PART NO.	PART DESCRIPTION	FRT	QTY	
1	T05010KW0050A	FRONT FORK COVER TUBE MAROON RAL3005	0.6	2	
1.1	T05010KW0050L	FRONT FORK COVER TUBEGREY RAL7035	0.6	2	
2	T05010KW0040N	GUIDE, FRONT FORK COVER TUBE	0.9	2	
3	T08020KW0080E	FR NUMBER PLATE HOLDER BLACK 6C_SINGLE CHANNEL	0.6	1	
4	T0502BKW0030N	SPRING WASHER M8	0.4	2	
5	T0502BKW0040N	SOCKET HEAD BOLT(M8X1.25X42)	0.5	2	
6	T13160KW0070N	BRACKET INDICATOR MOUNTING FRONT	0.5	1	
7	SP0706018	SCREW TBEI M6X12 UNI 7380	0.4	2	
8	T05000KW0120N	CLAMPING BRKT 2,BRAKE HOSE	0.2	1	
9	SP0708010	SOCKET HEAD SCREW M8x16	0.2	2	
10	T08010KW0220N	RR MOUNTING BRACKET_SINGLE CHANNEL ABS	0.4	1	
11	95701-06012-00	BOLT FL.6 X 12	0.4	2	
12	T1501CKW0010N	REGULATOR RECTIFIER-J1	0.3	1	
13	T13000KW0060N	AIR DEFLECTOR	0.3	1	
14	95701-06030-00	BOLT FLANGE 6X30	0.3	2	
15	T19010KW0020N	CALIPER FRONT BRAKE RH	0.8	1	
16	SF0102331	BOLT HEX FL M8X1.25X28X8.8	0.3	2	
17	T0602FKE0010N	SPEED SENSOR FRONT WHEEL_M104	0.7	1	
18	TSF0224080	SOCKET HEAD SCREW M6x16 BLACK (LOCKTITE)	0.2	1	
19	T08000KW0230N	STEERING LOCK MINDA	0.4	1	
20	SF0109001	SCREW FLAT	0.3	2	
21	TSF0100005	SPECIAL, BOLT 8mm	0.5	2	
22	T14060KG0060N	FRONT NUMBER PLATE	0.2	1	
23	SF0212024	SCREW RDSKT M5X0.8X12XA2-70	0.1	2	
24	SF0401090	WASHER PLAIN M6X18X1.6	0.3	2	
25	SF0402030	WASHER SPRING L M8x14.8x2xZG	0.2	2	
26	T1501AKW0070N	DOUBLE CABLE CLIP_REV0_L1_A2	0.1	3	
27	T05010KW0280N	HOLDER NO PLATE MTG	0.5	1	

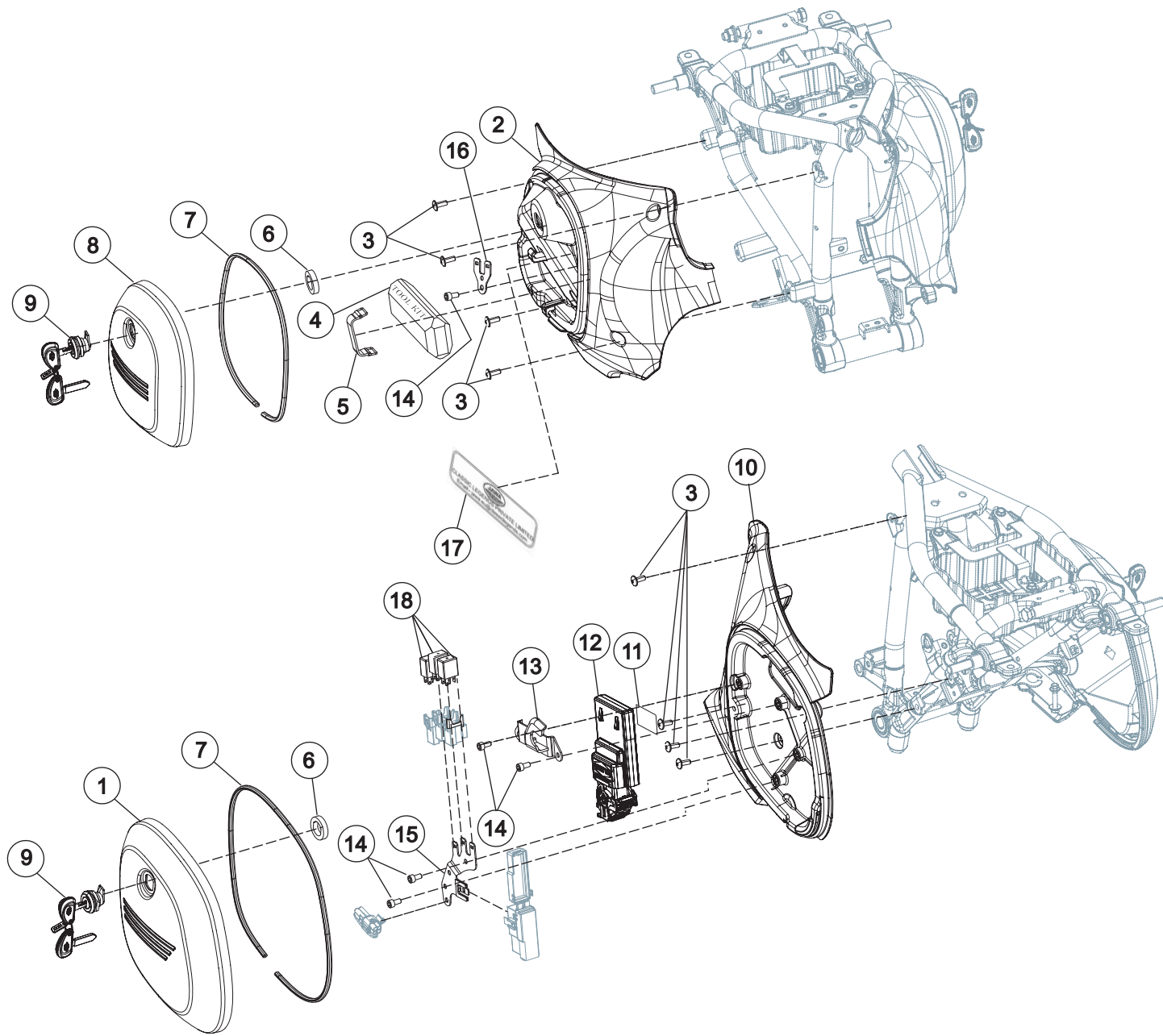
FAIRING ASSEMBLY (JAWA)



FAIRING ASSEMBLY (JAWA)

SR. NO.	PART NO.	PART DESCRIPTION	FRT	QTY	
1	TSF0318007	M6 NYLOC NUT (BLACK)	0.2	2	
2	MF01730000300	COLLAR TAIL LAMP MTG	0.2	2	
3	T08020KW0050A	FR FAIRING LOWER COWL MAROON RAL3005	0.7	1	
3.1	T08020KW0050L	FR FAIRING LOWER COWL GREY RAL7035	0.7	1	
4	SF0212025	SCREW RDSKT M8X1.25X16XA2-70	0.2	6	
5	T08020KW0040A	FR FAIRING UPPER COWL MAROON RAL3005	0.5	1	
5.1	T08020KW0040L	FR FAIRING UPPER COWL GREY RAL7035	0.5	1	
6	T13030KG0130N	GROMMET TAIL COVER	0.3	1	
7	T13160KW0010N	PLUG HANDLE BAR LH	0.2	1	
8	T13160KW0020N	PLUG HANDLE BAR RH	0.2	1	
9	T1501HKW0020N	DIGITAL SPEEDOMETER_MAIN ASSY (J1-A)	0.5	1	
10	SF0401090	WASHER PLAIN M6X18X1.6	0.2	4	
11	T1501DKW0120N	HEAD LAMP ASSEMBLY-J1-A (E4)	0.2	1	
12	SF0212026	SCREW RDSKT M6X1X12XA2-70	0.2	2	
13	T1501BKW0010E	HORN ASSEMBLY - 70 DIA	0.2	1	
14	TSF0214019	BUTTON HEAD SOCKET SCREW M6X30	0.2	2	
15	T1501GKW0010N	TURN SIGNAL INDICATOR_FRONT LH	0.5	1	
16	T1501GKW0020N	TURN SIGNAL INDICATOR_FRONT RH	0.5	1	
17	T13160KW0090N	DAMPER HEAD LAMP STAY	0.7	2	
18	T13200KW0050N	LOGO HORN COVER JAWA	0.3	1	
19	T1501BKW0030N	HORN ASSEMBLY WITH LOGO J1 A	0.2	1	

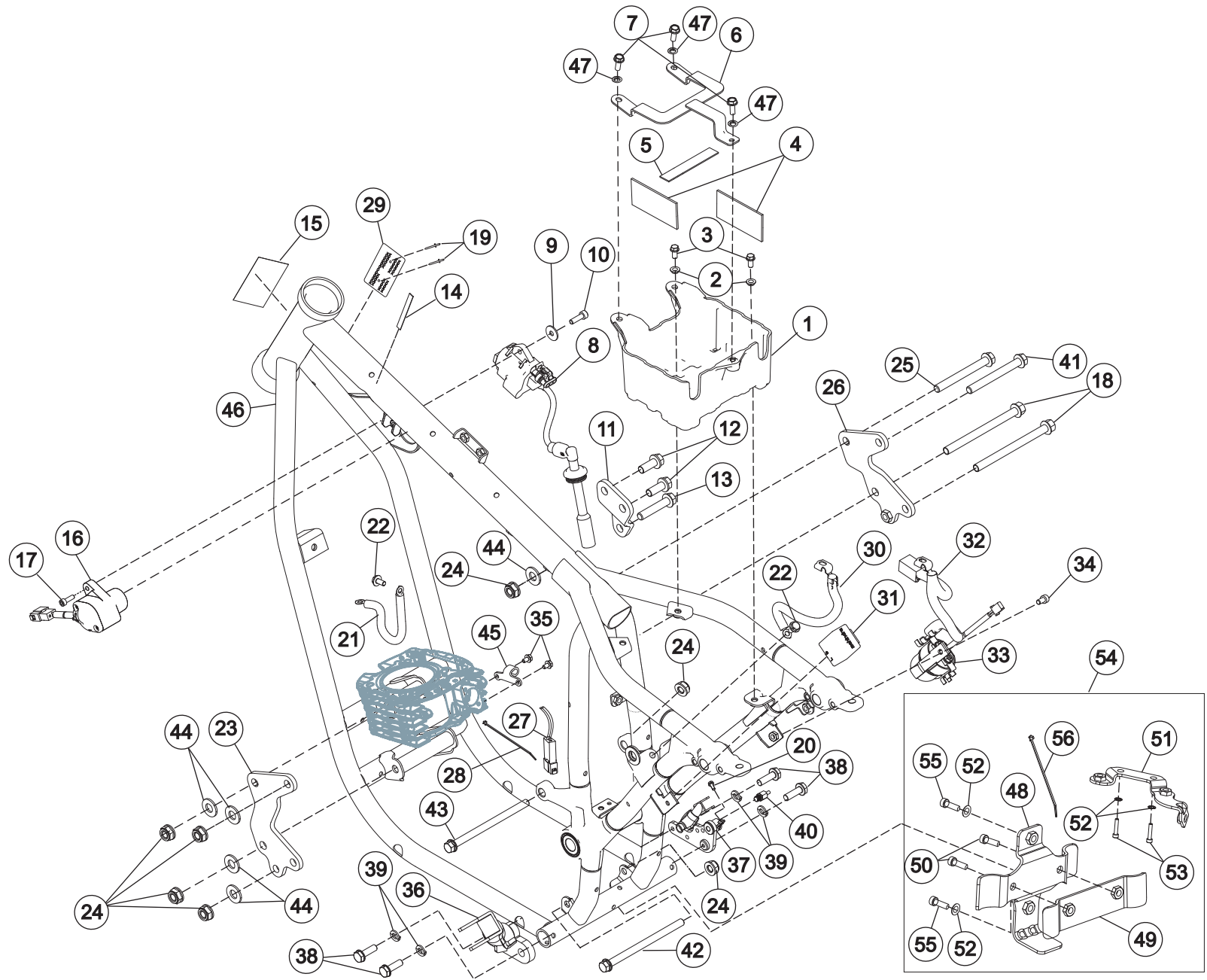
SIDE PANEL LH & RH ASSY / ECU & RELAY / FUSEBOX



SIDE PANEL LH & RH ASSY / ECU & RELAY / FUSEBOX

SR. NO.	PART NO.	PART DESCRIPTION	FRT	QTY	
1	T13010KW0070A	BOX SIDE PANEL LH MAROON RAL3005	0.1	1	
1.1	T13010KW0070L	BOX SIDE PANEL LH GREY RAL7035	0.1	1	
2	T13010KW0060E	SIDE PANEL RH MATT BLACK	0.3	1	
3	SF0212023	SCREW RDSKT M6X1X12XA2-70	0.2	8	
4	T14010KW0010N	TOOL KIT	0.2	1	
5	T14010KE0010N	TOOL KIT BAND	0.2	1	
6	T18080KS0020N	DAMPER SIDE PANEL LOCK	0.2	2	
7	T13010KW0120N	BEAD SIDE PANEL	0.1	2	
8	T13010KW0080A	BOX SIDE PANEL RH MAROON RAL3005	0.1	1	
8.1	T13010KW0080L	BOX SIDE PANEL RH GREY RAL7035	0.1	1	
9	T2401FKW0010N	SIDE COVER LOCK C300	0.2	2	
10	T13010KW0030E	SIDE PANEL LH MATT BLACK	0.5	1	
11	T1503AKG0170E	PAD BATTERY	0.2	1	
12	T1502GKW0050N	ELECTRONIC CONTROL UNIT (EURO IV)	0.3	1	
13	T08000KW0260N	ECU MTG. BRACKET	0.2	1	
14	SP0306006	SOCKET HEAD SCREW M6X12(WHITE)	0.2	5	
15	T13010KW0090N	FUSE BOX MOUNTING BRACKET	0.3	1	
16	T13010KW0260N	RELAY MOUNTING BRACKET_BSVI	0.2	1	
17	T13010KW0290N	MANUFACTURING LABEL STICKER	0.2	1	
18	T1501DKW0020N	RELAY (20A NO CONTACT)	0.2	3	

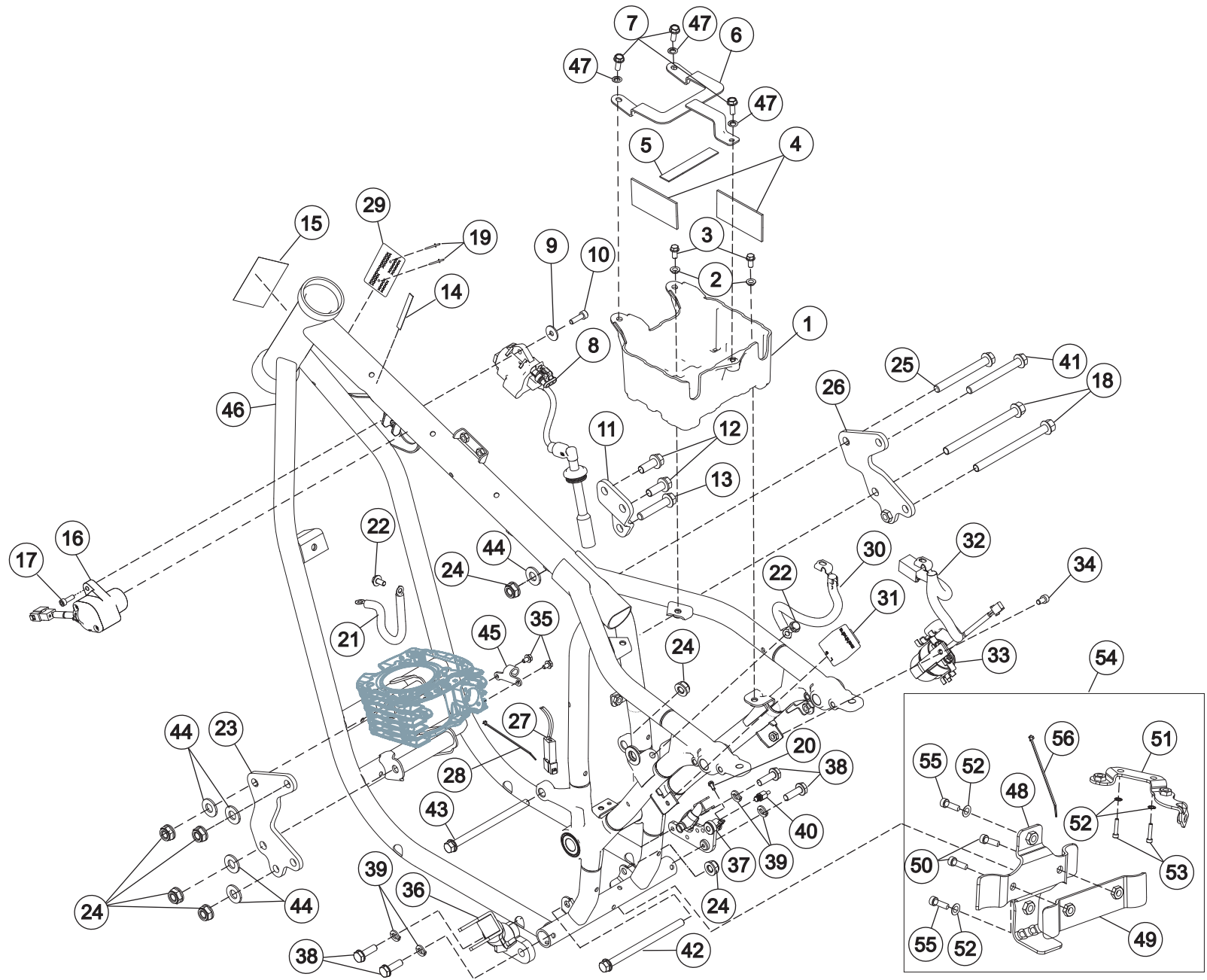
FRAME ASSEMBLY & FRAME MOUNTINGS



FRAME ASSEMBLY & FRAME MOUNTINGS

SR. NO.	PART NO.	PART DESCRIPTION	FRT	QTY	
1	T08000KW0220N	BATTERY BOX	0.5	1	
2	MH01790003300	SPACER H=4 FOR M6	0.5	2	
3	Sp0906041	FLANGED HEAD BOLT-SH M6X12	0.5	2	
4	T1503DKE0250N	PAD BATTERY BOX	0.4	4	
5	T15010KE0840N	FOAM BATTERY CLAMP	0.3	1	
6	T08000KW0490N	BATTERY CLAMP	0.3	1	
7	SP0306011	SOCKET HEAD SCREW M6X16	0.2	3	
8	T1502CKE0050N	IGNITION COIL WITH CABLE	0.6	1	
9	TSF0401124	WASHER 6.5X20X1.6	0.5	1	
10	SP0906029	FLANGE BOLT M6 X 20	0.5	1	
11	T2101DKW0030A	TOP ENGINE BKT LH MAROON RAL3005	0.7	1	
11.1	T2101DKW0030L	TOP ENGINE BKT LH GREY RAL7035	0.7	1	
12	SF0202258	SCREW HEX FL M10X1.5X25	0.7	2	
13	TSF0102302	FLANGE BOLT M10 X 50	0.7	1	
14	T0702JKE0010N	CLAMP THROTTLE CABLE	0.5	3	
15	T08000KE0020N	ANTI ABRASIVE TAPE HEAD PIPE	0.3	1	
16	T1501NKW0010N	IGNITION SWITCH ASSY	0.7	1	
17	TSF0101269	HEX BOLT 5 x 12	0.7	1	
18	TSF0102300	FLANGED BOLT M10 x 125	0.8	2	
19	SF0508001	POP RIVET 3.2 DIA	0.4	2	
20	SP0206021	HEX BOLT SH M6 X 25	0.2	1	
21	T1503BKW0010N	WIRING_STARTER MOTOR	0.8	1	
22	95701-06012-07	BOLT FLANGE 6X12 (BLACK)	0.7	1	
23	T2101DKW0010A	FR ENGINE BRACKET LH MAROON RAL3005	0.7	1	
23.1	T2101DKW0010L	FR ENGINE BRACKET LH GREY RAL7035	0.7	1	
24	TSF0318009	FLANGE U NUT M10x1.5	0.7	7	
25	TSF0102299	FLANGED BOLT M10X90	0.7	1	
26	T2101DKW0020A	FR ENGINE BRACKET RH MAROON RAL3005	0.7	1	
26.1	T2101DKW0020L	FR ENGINE BRACKET RH GREY RAL7035	0.7	1	
27	T1501AKW0230N	BYPASS RESISTOR - ROS	0.7	1	
28	T1501AKE2050E	CABLE STRAP 200MM	0.7	1	
29	T17030KW0290N	STATUTORY PLATE	0.4	1	
30	T1503AKW0020N	WIRING_BATTERY NEGATIVE	0.5	1	

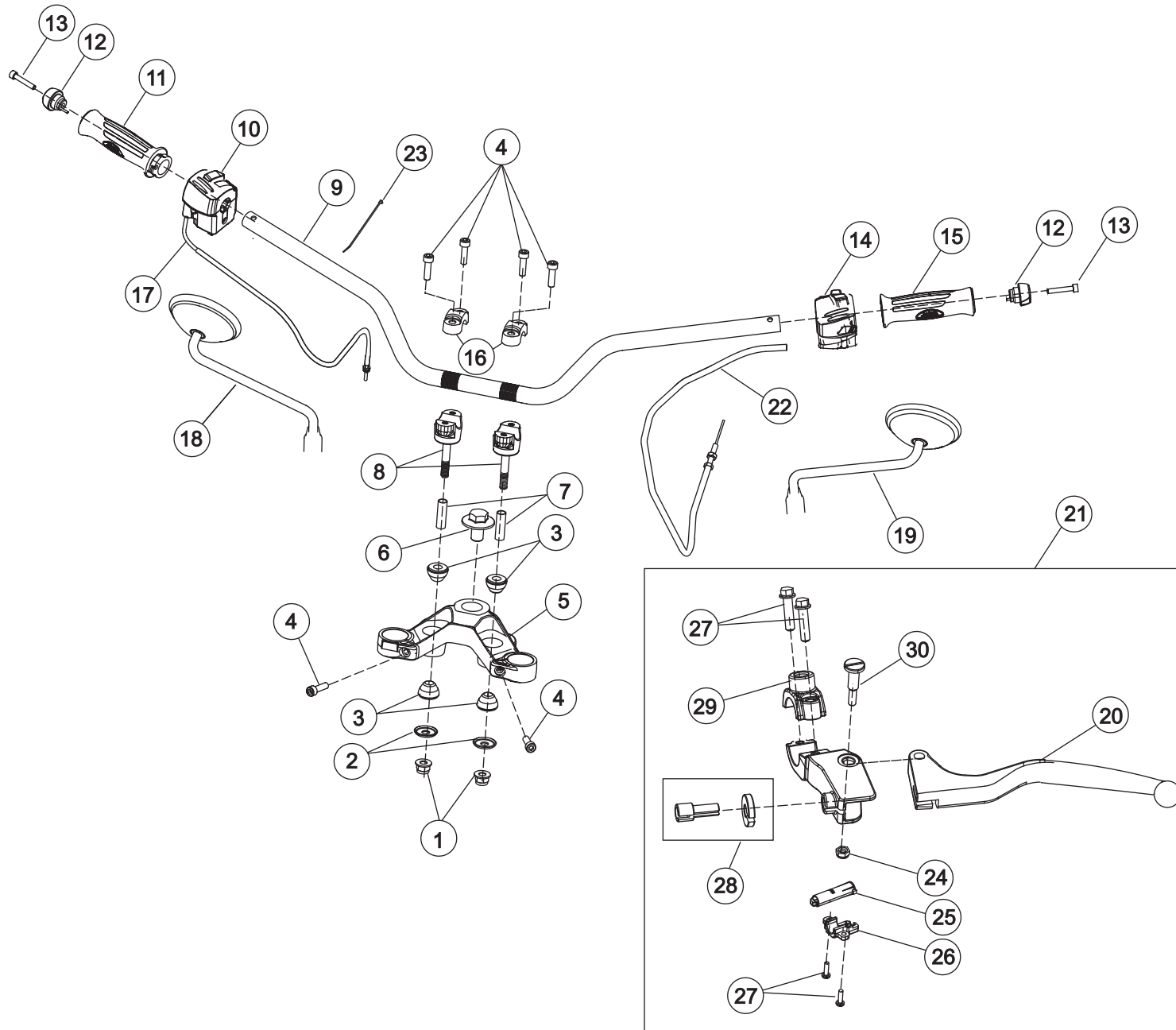
FRAME ASSEMBLY & FRAME MOUNTINGS



FRAME ASSEMBLY & FRAME MOUNTINGS

SR. NO.	PART NO.	PART DESCRIPTION	FRT	QTY
31	MF00660000100	WINKER RELAY WITH HOLDER	0.5	1
32	T1503AKW0010N	WIRING_BATTERY POSITIVE	0.5	1
33	T1503CKE0730E	STARTER RELAY	0.5	1
34	95701-06012-00	BOLT FL.6 X 12	0.4	1
35	TSF0102281	FLANGE BOLT M6X10	0.2	2
36	T2201AKW0020A	RIDER FOOTREST LH MAROON RAL3005	0.5	1
36.1	T2201AKW0020L	RIDER FOOTREST LH GREY RAL7035	0.5	1
37	T2201AKW0070A	RIDER FOOTREST RH MAROON RAL3005	0.8	1
37.1	T2201AKW0070L	RIDER FOOTREST RH GREY RAL7035	0.8	1
38	SF0202009	SCREW HEX FL M8X1.25X25X8.8XZN	0.5	4
39	SP3908001	2W_SPRING WASHER	0.5	4
40	T2201AKW0150N	PIN, PEDAL RETURN SPRING	0.5	1
41	SF0100129	BOLT SPECIAL M10 X1.25 X90 X10.9	0.8	1
42	SF0102545	BOLT HEX FL M10 X 1.25 X 150 X 10.9	0.9	1
43	SF0102544	BOLT HEX FL M10 X 1.25 X 175 X 10.9	0.7	1
44	TSF0401130	WASHER M10 (10X22X2.0)	1.0	5
45	T0219BVE0010N	CLUTCH CABLE MOUNTING BRACKET	0.3	1
46	T08000KW0550A	FORGD FRAME WITH OUTER BALL RACE MAROON	12	1
46.1	T08000KW0550L	FORGD FRAME WITH OUTER BALL RACE GREY	12	1
47	TSF0401132	WASHER M6 (6.5 X 12 X 2)	0.2	1
48	T08000KW0560N	RR MTG BRACKET FRONT WITH FOAM	0.5	1
49	T08000KW0530N	RR MTG BRACKET REAR	0.5	1
50	SP0306011	SOCKET HEAD SCREW M6X16	0.3	2
51	T05000KW0270N	AIR DEFLECTOR MOUNTING BRACKET	0.3	1
52	SF0401090	WASHER PLAIN M6X18X1.6	0.1	4
53	95701-06016-00	BOLT FLANGE 6X16	0.1	2
54	T08000KW0570N	RR UNIT MTG KIT FOR SERVICE	0.6	1
55	95701-06030-00	BOLT FLANGE 6X30	0.4	2
56	T1501AKE2050E	CABLE STRAP 200MM	0.2	4

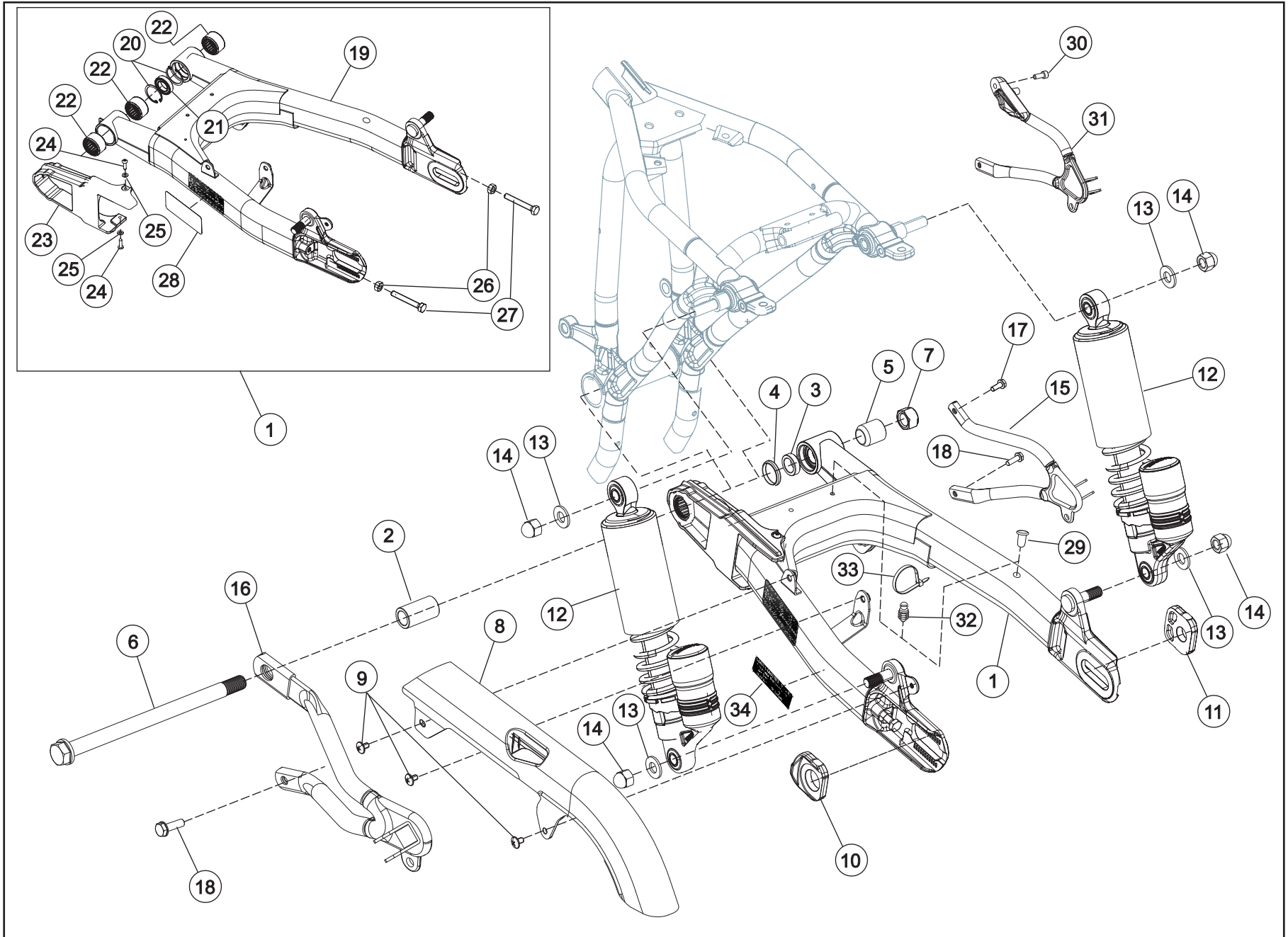
HANDLE BAR ASSEMBLY



HANDLE BAR ASSEMBLY

SR. NO.	PART NO.	PART DESCRIPTION	FRT	QTY	
1	SF0315017	NUT HX NYL FL M10X1.50X13.5X10	0.7	2	
2	MH01800004000	SHOT SILENT BLOCK	0.7	2	
3	MH01800003900	SILENT BLOCK	0.7	4	
4	SP0308023	SOCKET HEAD SCREW M8X28	0.6	6	
5	T05000KW0080N	UPPER BRACKET	0.7	1	
6	SF0200115	SCREW SPECIAL M16x1.25x25x8.8	0.5	1	
7	MH01790002300	SPACER INNER SILENT BLOCK	0.7	2	
8	T07010KW0020N	HANDLE BAR HOLDER LOWER	0.7	2	
9	T07000KW0010N	HANDLE BAR TUBE	0.8	1	
10	T1501MKE1020N	SWITCH ASSY RH	0.5	1	
11	T0701EKW0010N	THROTTLE CONTROL TUBE WITH HANDLE GRIP RH	0.5	1	
12	T0701JKW0030N	COUNTERWEIGHT	0.1	2	
13	SP0306020	SOCKET HEAD SCREW M6X55	0.1	2	
14	T1501MKE1010N	SWITCH ASSY LH_M103	0.4	1	
15	T0701DKW0010N	HANDLE GRIP LH	0.4	1	
16	T07010KW0010N	HANDLE BAR HOLDER UPPER	0.5	2	
17	T2401DKW0010N	THROTTLE CABLE ASSY	0.6	1	
18	T14040KW0020N	MIRROR RH ASSEMBLY	0.2	1	
19	T14040KW0010N	MIRROR LH ASSEMBLY	0.2	1	
20	T0701CKE0060N	CLUTCH LEVER	0.2	1	
21	T0701CKW0030N	CLUTCH LEVER ASSEMBLY	0.7	1	
22	T24010KW0010N	CLUTCH CABLE ASSEMBLY	0.6	1	
23	MF01840000300	CABLE TIES	0.1	2	
24	SF0302015	NYLOC NUT M5	0.1	1	
25	T0702AKE0010N	CLUTCH SWITCH	0.4	1	
26	MH01710001200	HOLDER SUPPORT	0.2	1	
27	SP0906039	BOLT M6 X 32	0.2	4	
28	T07020KE0030N	CHECK NUT	0.4	1	
29	T0701CKW0050N	HOLDER UPPER	0.3	1	
30	T0701CKW0070N	PIVOT LEVER LH MINUS HEAD	0.2	1	

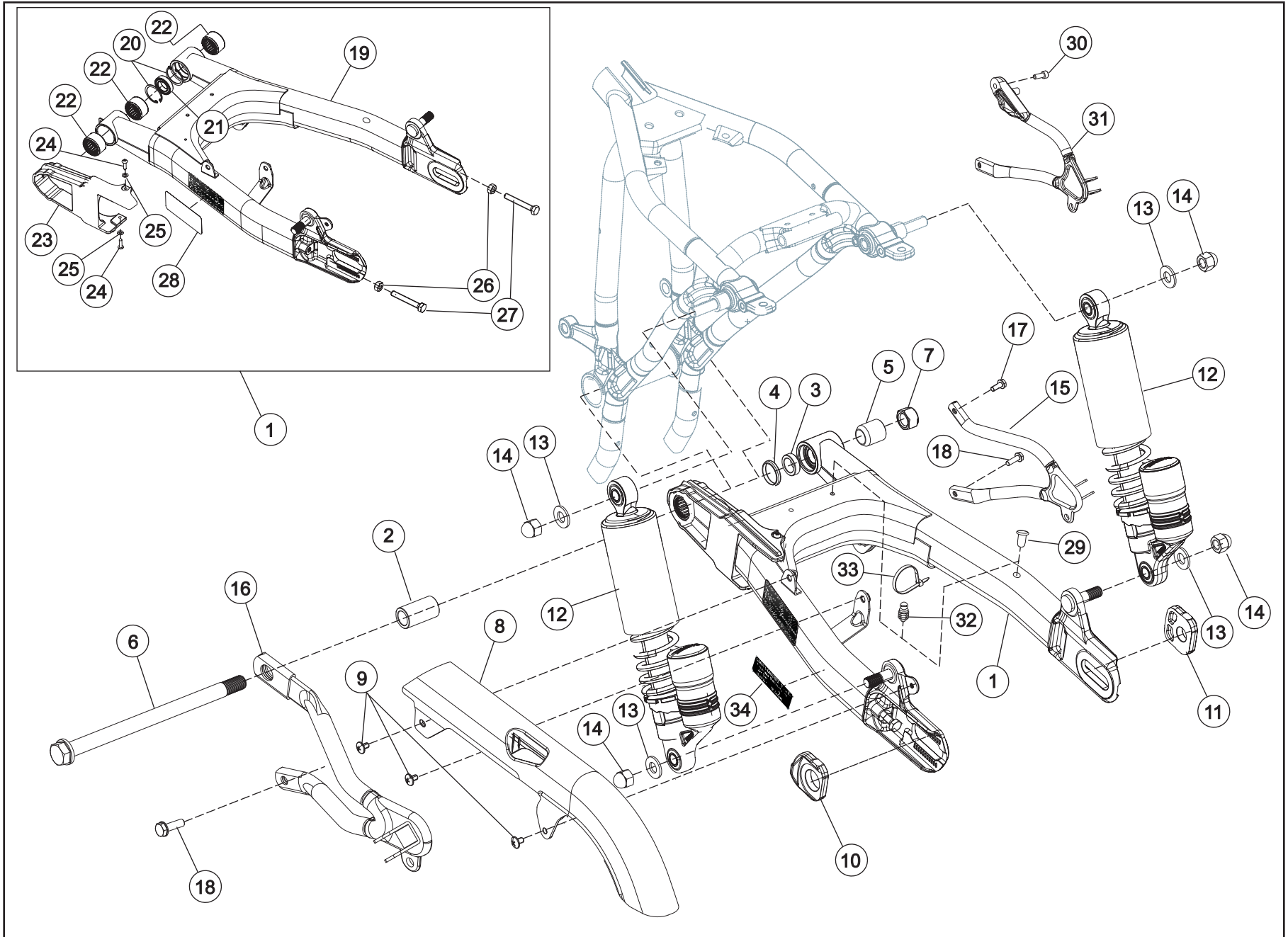
SWING ARM ASSEMBLY AND REAR SHOCK ABSORBER



SWING ARM ASSEMBLY AND REAR SHOCK ABSORBER

SR. NO.	PART NO.	PART DESCRIPTION	FRT	QTY	
1	T11000KW0020A	SWINGARM SUB ASSY MAROON J1A	1.5	1	
1.1	T11000KW0020L	SWINGARM SUB ASSY GREY J1A	1.5	1	
2	T1101AKW0010N	BUSH INNER LH	0.8	1	
3	T1101AKW0020N	BUSH, INNER RH	0.8	1	
4	T1101AKW0040N	COLLAR - BUSH INNER RH	0.8	1	
5	T1101AKW0030N	BUSH OUTER RH	0.8	1	
6	T1101CKW0010N	SWING ARM AXLE M16	0.6	1	
7	TSF0318003	SELF LOCK NUT M16	0.6	1	
8	T08000KW0150E	CHAIN COVER MATT BLACK	0.3	1	
9	Sf0212023	SCREW RDSKT M6X1X12XA2-70	0.2	3	
10	T08000KW0180N	CHAIN TENSION ADJUSTOR LH	0.5	1	
11	T08000KW0190N	CHAIN TENSION ADJUSTOR RH	0.2	1	
12	T11020KW0010N	REAR SHOCK ABSORBER	0.3	2	
13	MF01700003500	SPECIAL WASHER	0.2	4	
14	SF0300040	CAP NUT (M12X1.5P)	0.2	4	
15	T2201BKW0070A	PILLION FOOTREST HOLDER RH MAROON RAL3005	0.6	1	
15.1	T2201BKW0070L	PILLION FOOTREST HOLDER RH GREY RAL7035	0.6	1	
16	T2201BKW0020A	PILLION FOOTREST HOLDER LH MAROON RAL3005	0.8	1	
16.1	T2201BKW0020L	PILLION FOOTREST HOLDER LH GREY RAL7035	0.8	1	
17	SF0202054	SCREW HEX FL SL M8X1.25X20X8.8	0.4	1	
18	SF0202009	SCREW HEX FL M8X1.25X25X8.8XZN	0.2	2	
19	T11010KW0020A	COMP SWING ARM MAROON RAL3005	1.5	1	
19.1	T11010KW0020L	COMP SWING ARM GREY RAL7035	1.5	1	
20	SF0602002	CIRCLIP INT - LUG 30X1.2XPH	1.5	2	
21	SP010100119	BEARING DG BALL SR 17X30X7	1.5	1	
22	6801CAP00021N	NEEDLE_ROLLER_BEARING	1.5	3	
23	T08000KW0170N	CHAIN SLIDER	0.7	1	
24	TSF0214025	TAPPING SCREW M4X12	0.1	2	
25	94101-04700	WASHER PLAIN M4X9X0.8	0.1	2	
26	SF0301245	NUT HEX M8X1.25XX6.5X8XZN	0.2	2	
27	SF0201389	SCREW HEX M8X1.25X55X8.8	0.1	2	
28	T08000KW0160N	CAUTION STICKER CHAIN & TYRE	0.1	1	
29	MF01770001300	PIN (FR. BRAKE CABLE)	0.1	1	
30	SP0308009	SOCKET HEAD SCREW M8X20 (10.9 GRADE)	0.4	1	

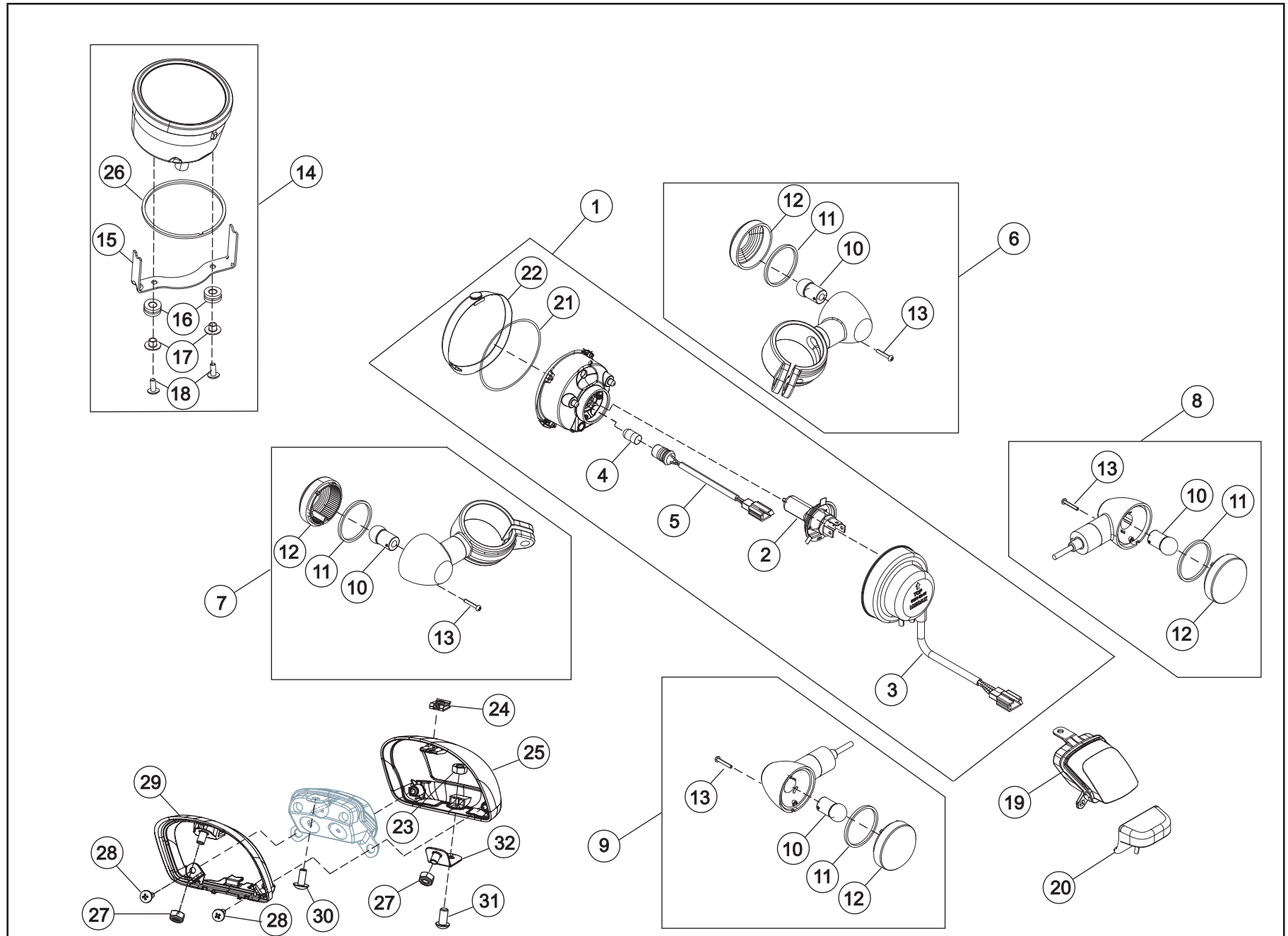
SWING ARM ASSEMBLY AND REAR SHOCK ABSORBER



SWING ARM ASSEMBLY AND REAR SHOCK ABSORBER

SR. NO.	PART NO.	PART DESCRIPTION	FRT	QTY	
31	T2201BKW0140A	HOLDR PILION RH MAROON RAL 3005	0.6	1	
31.1	T2201BKW0140L	HOLDR PILION RH GREY RAL7035	0.6	1	
32	T25010KW0032N	CABLE TIE CLAMP, BRAKE HOSE_HELLERMANN	0.2	2	
33	T1501AKE2052E	CABLE STRAP 200MM_HELLERMANN	0.2	2	
34	T11010KW0050N	NOISE LABEL STICKER	0.1	1	

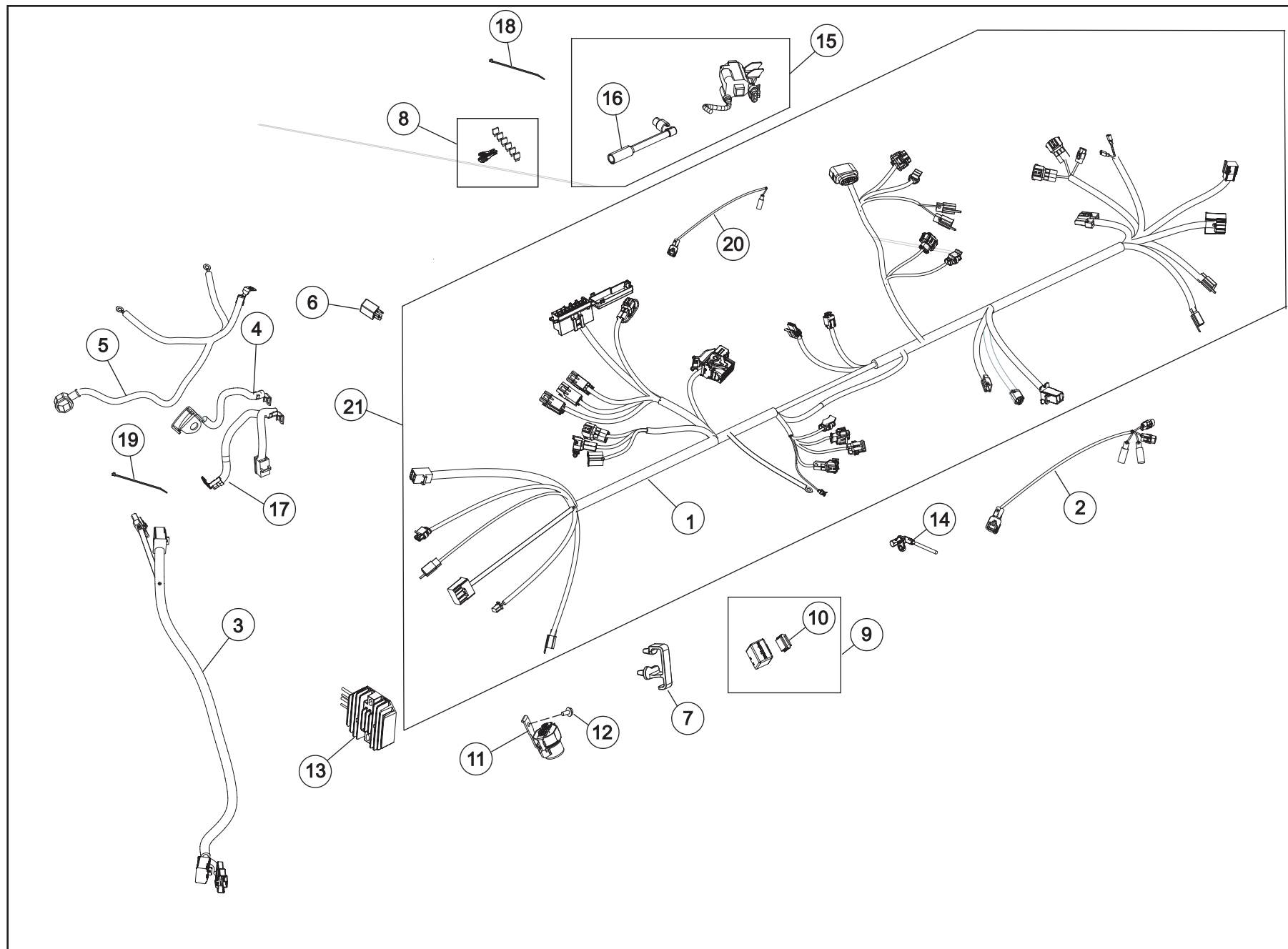
HEADLAMP, TAIL LAMP, INDICATOR FRONT & REAR, LICENSE PLATE LAMP & SPEEDOMETER ASSEMBLY



HEAD LAMP, TAIL LAMP, INDICATOR FRONT & REAR, LICENSE PLATE LAMP & SPEEDOMETER ASSEMBLY

SR. NO.	PART NO.	PART DESCRIPTION	FRT	QTY
1	T1501DKW0120N	HEAD LAMP ASSEMBLY-J1-A (E4)	0.1	1
2	T1501DKW0060N	BULB 12V,H4 60/55W	0.2	1
3	T1501DKW0050N	DUST COVER	0.2	1
4	T1501DKW0070N	BULB 12V,5W	0.2	1
5	T1501DKW0080N	WIRING HARNESS - POSITION LAMP	0.2	1
6	T1501GKW0020N	TURN SIGNAL INDICATOR_FRONT RH	0.3	1
7	T1501GKW0010N	TURN SIGNAL INDICATOR_FRONT LH	0.3	1
8	T1501GKW0040N	TURN SIGNAL INDICATOR_REAR RH	0.4	1
9	T1501GKW0030N	TURN SIGNAL INDICATOR_REAR LH	0.4	1
10	T1501GKW0050N	BULB R10	0.2	4
11	T1501GKW0060N	RUBBER GASKET	0.2	4
12	T1501GKW0070N	LENS	0.1	4
13	T1501GKW0080N	FASTNER-INDICATOR	0.1	4
14	T1501HKW0020N	DIGITAL SPEEDOMETER_MAIN ASSY (J1-A)	0.5	1
15	T13160KW0170N	BRACKET SPEEDOMETER MOUNTING (JAWA)	0.4	1
16	T13160KW0190N	COLLAR FOR M5	0.4	2
17	T13160KW0180N	GROMMET FOR M5	0.4	2
18	TSF0102272	FUEL GAUGE-FLANGE BOLT (M5×12)	0.4	2
19	T1501EKW0020N	TAIL LAMP ASSY	0.6	1
20	T1501TKW0010N	NUMBER PLATE LAMP	0.4	1
21	T1501EKW0030A	CASING TAIL LAMP MAROON RAL3005	0.7	1
21.1	T1501EKW0030L	CASING TAIL LAMP GREY RAL7035	0.7	1
22	TSF0300022	NUT CLIP 5MM (BLACK)	0.6	1
23	TSF0301091	M6 NUT	0.6	1
24	T1501DKW0090N	HEADLAMP - RIM ASSEMBLY - J1A	0.2	1
25	T1501DKW0100N	HEADLAMP - RUBBER RING	0.2	1
26	T1501HKW0060N	GASKET - SPEEDOMETER (JAWA)	0.6	1
27	TSF0318007	M6 NYLOC NUT (BLACK)	0.1	2
28	TSF0214025	TAPPING SCREW M4x12	0.5	2
29	T1501EKW0040N	CHROME RING TAIL LAMP - JAWA	0.6	1
30	TSF0212010	TRUSS HEAD SCREW M5x12 (BLACK)	0.5	1
31	SP0706018	SCREW TBEI M6X12 UNI 7380	0.6	1
32	T1501EKW0050N	BKT TAIL LAMP MTG BOTTOM LOOSE	0.6	1

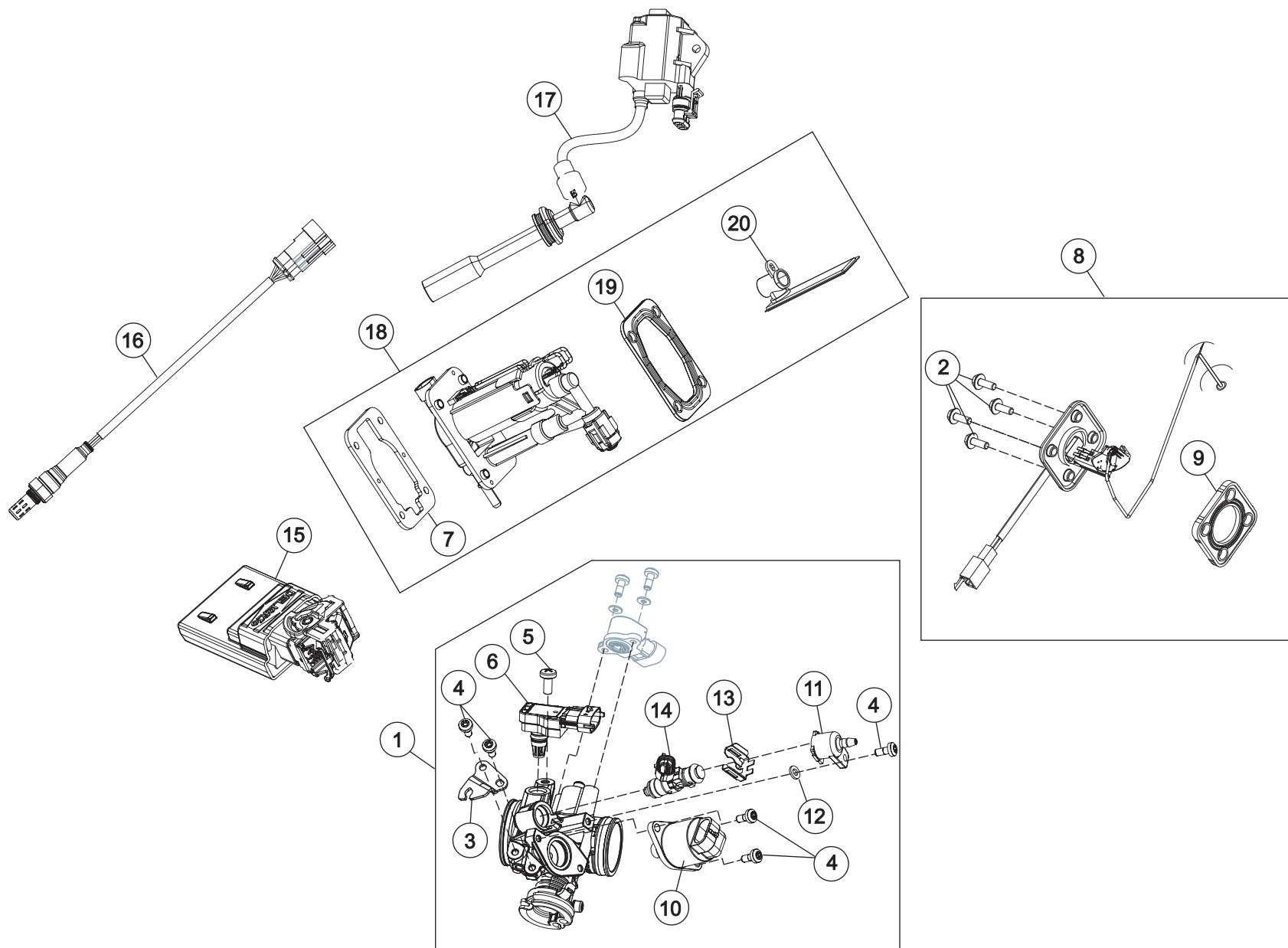
WIRING HARNESS & BATTERY WITH STARTER RELAY AND RELAY CORDSET- SINGLE CHANNEL ABS



WIRING HARNESS & BATTERY WITH STARTER RELAY AND RELAY CORDSET- SINGLE CHANNEL ABS

SR. NO.	PART NO.	PART DESCRIPTION	FRT	QTY	
1	T1501AKW0030N	WIRING HARNESS	1.5	1	
2	T1501AKW0040N	WIRING REAR LAMPS	0.4	1	
3	T1501AKW0050N	WIRING RR UNIT	0.5	1	
4	T1503AKW0020N	WIRING_BATTERY NEGATIVE	0.4	1	
5	T1503BKW0010N	WIRING_STARTER MOTOR	0.6	1	
6	T1501DKW0020N	RELAY (20A NO CONTACT)	0.3	3	
7	T1501AKW0090N	CLAMP_ WIRING HARNESS	0.3	1	
8	T1501AKE2170N	SPARE FUSE KIT ASSY	0.1	1	
9	MF00660000100	WINKER RELAY WITH HOLDER	0.6	1	
10	MF01910000200	HOLDER (FOR WINKER RELAY)	0.6	1	
11	T1503CKE0730E	STARTER RELAY	0.6	1	
12	95701-06012-00	BOLT FL.6X12	0.5	1	
13	T1501CKW0010N	REGULATOR RECTIFIER-J1	0.4	1	
14	T0602FKE0010N	SPEED SENSOR FRONT WHEEL_M104	0.4	1	
15	T1502CKE0050N	IGNITION COIL WITH CABLE	0.4	1	
16	T1502FUF0330N	NOISE SUPPRESSOR CAP	0.4	1	
17	T1503AKW0010N	WIRING_BATTERY POSITIVE	0.4	1	
18	T1501AKE2050E	CABLE TIES	0.1	17	
19	T1501AAG0350N	CABLE TIE FOR BATTERY	0.1	1	
20	T1501RKW0050N	WIRING DIAGNOSTIC-1	0.4	1	
21	T1501AKW0180N	WIRING HARNESS KIT (E4)	1.5	1	

ELECTRONIC FUEL INJECTION (EFI) ASSEMBLY

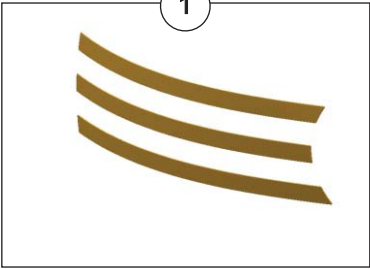


ELECTRONIC FUEL INJECTION (EFI) ASSEMBLY

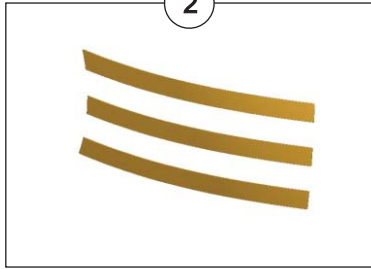
SR. NO.	PART NO.	PART DESCRIPTION	FRT	QTY	
1	T0102HKW0010N	THROTTLE BODY ASSEMBLY	0.9	1	
2	SP0906041	FLANGED HEAD BOLT-SH M6X12	0.5	4	
3	T0102HKW0040N	THROTTLE CABLE BRACKET	0.5	1	
4	T1501PKW0050N	FASTNER-MTB	0.5	5	
5	T1502EKW0020N	FASTNER-TMAP	0.3	1	
6	T1502EKE0250N	TMAP_ECU_C	0.3	1	
7	T10050KW0050N	METAL FLANGE	0.7	1	
8	T1501PKW0010N	FUEL SENSOR UNIT	0.6	1	
9	T1501PKW0040N	RUBBER GASKET	0.6	1	
10	T1502HKW0020N	IACV ECU	0.5	1	
11	T1501PKW0020E	FUEL INJECTOR CAP	0.6	1	
12	T1501PKW0060N	SEPERATOR	0.6	1	
13	T0102BKE0050N	FIXING INJECTOR CLIP (DELLORTO)	0.6	1	
14	T1501PKE0020N	FUEL INJECTOR _ECU C	0.7	1	
15	T1502GKW0050N	ELECTRONIC CONTROL UNIT (EURO IV)	0.3	1	
16	T15000KW0020N	LAMBDA SENSOR	0.4	1	
17	T1502CKE0050N	IGNITION COIL WITH CABLE	0.4	1	
18	T10050KW0010N	FUEL PUMP PLASTIC	0.7	1	
19	T10050KW0060N	RUBBER GASKET	0.6	1	
20	T10050KW0040N	FUEL FILTER	0.8	1	

DECALS - JAWA

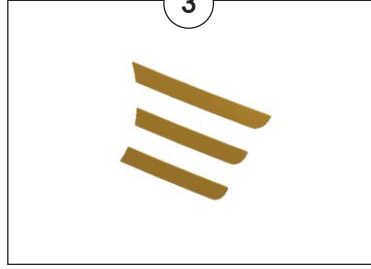
1



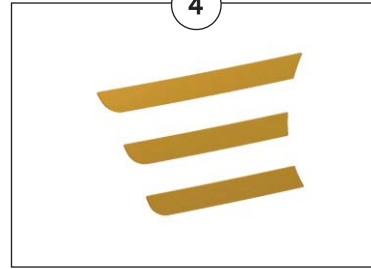
2



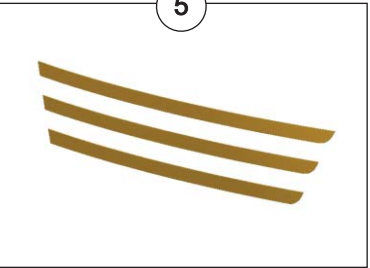
3



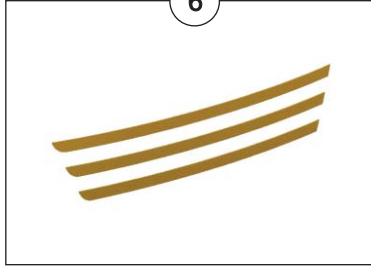
4



5



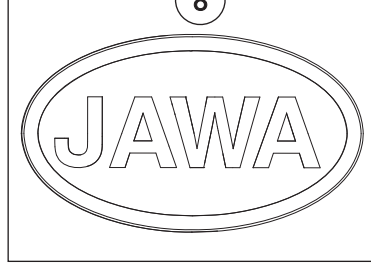
6



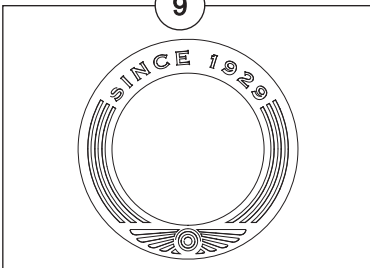
7



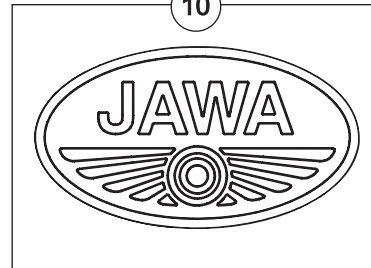
8



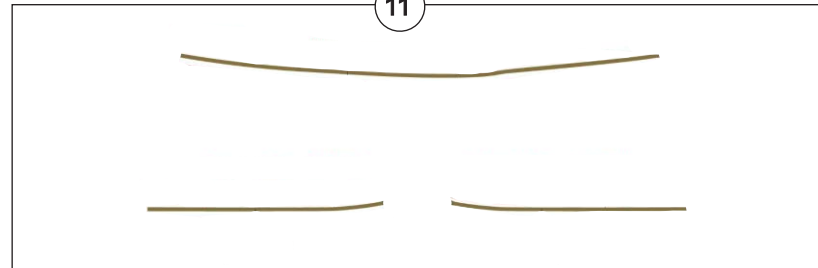
9



10



11

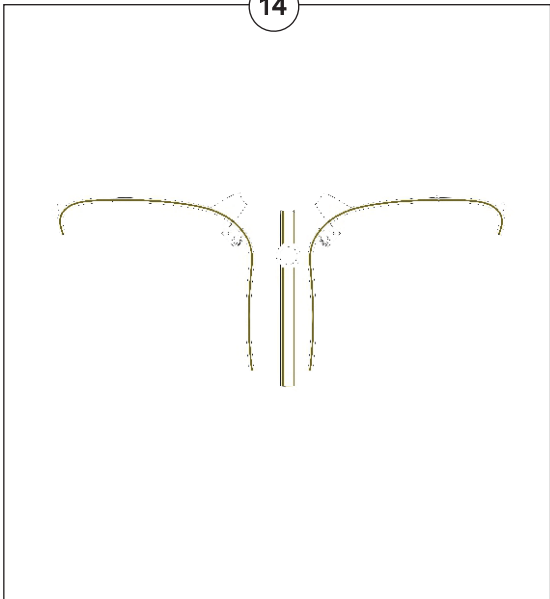


DECALS - JAWA

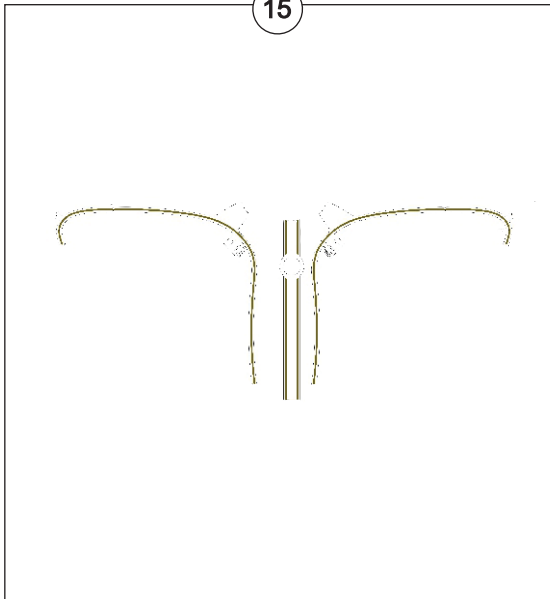
SR. NO.	PART NO.	PART DESCRIPTION	FRT	QTY	
1	T13200KW0090N	DECAL TANK FRONT LH	0.4	1	
2	T13200KW0100N	DECAL TANK FRONT RH	0.4	1	
3	T13200KW0110N	DECAL TANK REAR LH	0.4	1	
4	T13200KW0120N	DECAL TANK REAR RH	0.4	1	
5	T13200KW0130N	DECAL SIDE PANEL LH	0.4	1	
6	T13200KW0140N	DECAL SIDE PANEL RH	0.4	1	
7	T13200KW0040N	LOGO ENGINE STARTER MOTOR COVER	0.3	1	
8	T13200KW0050N	LOGO HORN COVER JAWA	0.3	1	
9	T13200KW0060N	LOGO FUEL TANK CAP	0.3	1	
10	T13200KW0020F	LOGO TANK (CHROME)	0.3	2	
11	T13200KW0200N	DECAL UPPER COWL CENTER	0.3	1	

DECALS - JAWA

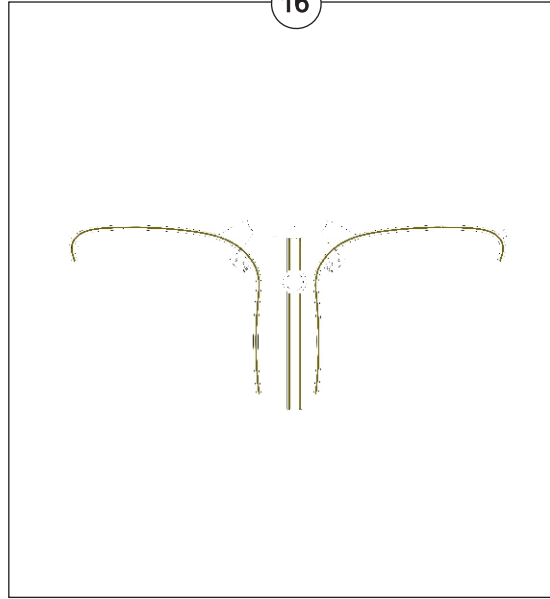
14



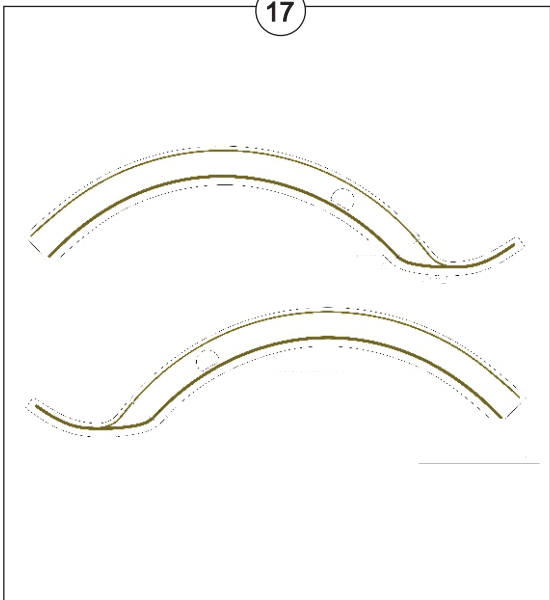
15



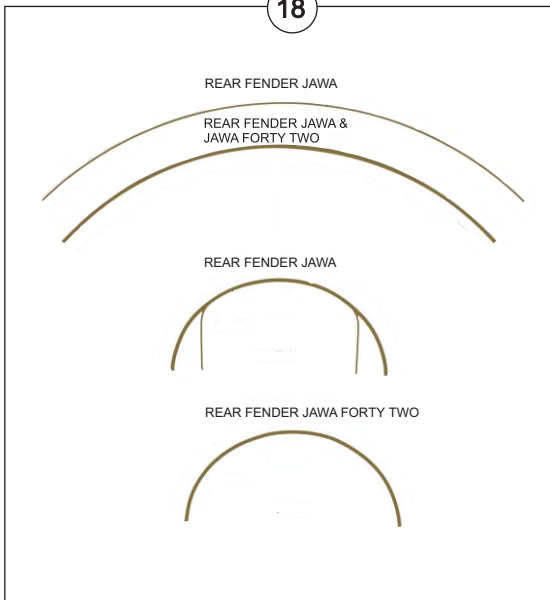
16



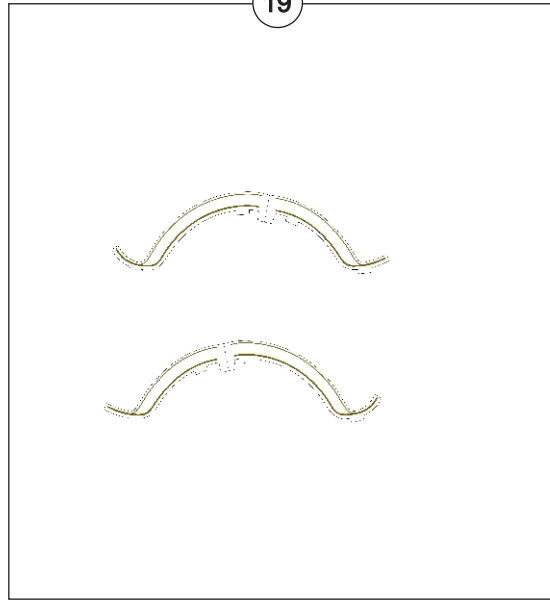
17



18



19



DECALS - JAWA

SR. NO.	PART NO.	PART DESCRIPTION	FRT	QTY	
14	T13200KW0310N	DECAL FUEL TANK CENTER	0.4	1	
15	T13200KW0300N	DECAL FUEL TANK RH	0.4	1	
16	T13200KW0290N	DECAL FUEL TANK LH	0.4	1	
17	T13200KW0250N	DECAL REAR FENDER RH (J 1 A)	0.3	1	
18	T13200KW0190N	DECAL REAR FENDER LH (J1A)	0.3	1	
19	T13200KW0270N	DECAL FRONT FENDER RH (J1A)	0.3	1	

DECALS - JAWA

RH & LH SIDE PROFILE (Qty - 2)



FRONT FENDER FRONT SIDE



RH & LH SIDE PROFILE (Qty - 2)



FRONT FENDER REAR SIDE



RH & LH SIDE PROFILE (Qty - 2)



RH & LH SIDE PROFILE (Qty - 2)

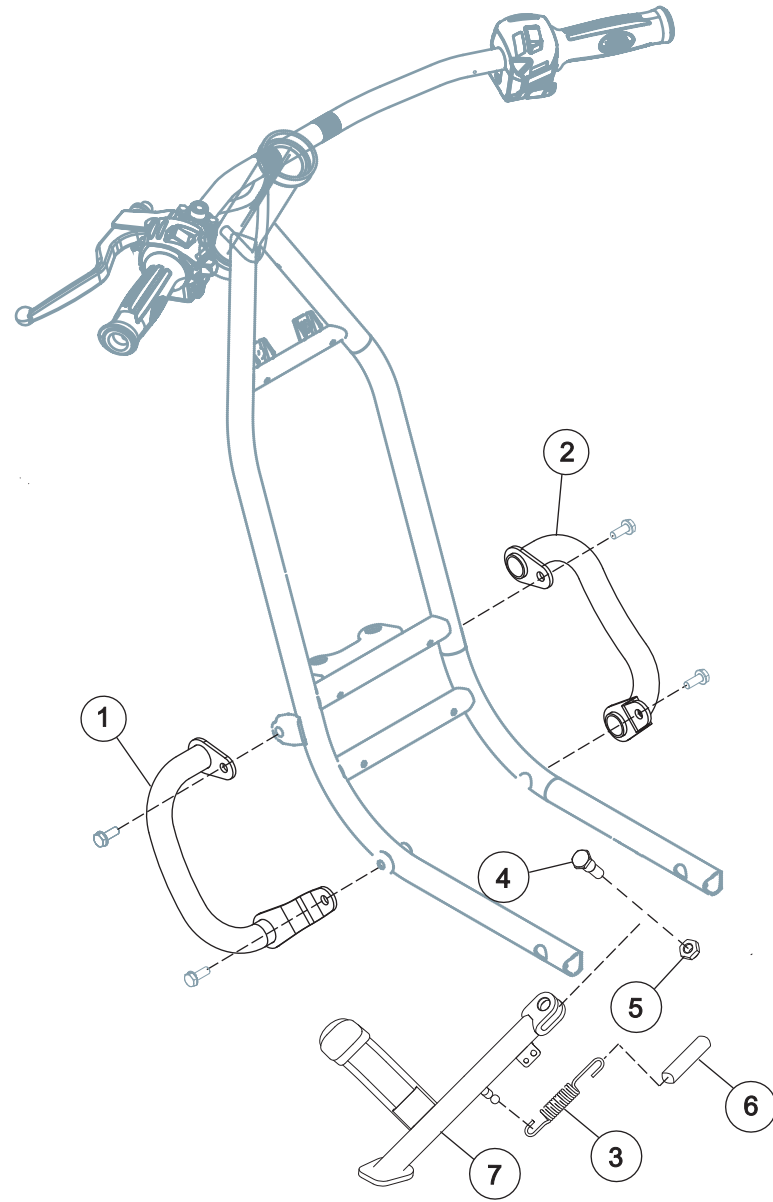


20

DECALS- JAWA

SR. NO.	PART NO.	PART DESCRIPTION	FRT	QTY	
20	T13200KW0210N	DECAL FRONT FENDER JAWA	0.5	1	

ACCESSORIES



ACCESSORIES

SR. NO.	PART NO.	PART DESCRIPTION	FRT	QTY	
1	T14020KW0010N	CRASH GUARD LH	0.4	1	
2	T14020KW0020F	CRASH GUARD RH	0.4	1	
3	T2302BKW0010N	SPRING SIDE STAND JAWA	0.1	1	
4	T2302BKW0020N	STEP BOLT SIDE STAND JAWA	0.3	1	
5	MF01690000400	NYLOC NUT 10 MM	0.2	1	
6	T20000KW0140N	RUBBER SLEEVE, RETURN SPRING	0.1	1	
7	T2301AKW0080W	FORGED SIDE STAND BLK GLY - SHT MTL FRM	0.5	1	
7.1	T2301AKW0060W	SIDE STAND FORGD BLK GLSY FR FORGD FRAME	0.5	1	



CLASSIC LEGENDS PRIVATE LIMITED

Pune Office : D-1 Block, Plot No. 18/2 (Part), M.I.D.C.,
Chinchwad, Pune 411019. (India)

E-mail: www.jawamotorcycles.com

Help Line No.: 1800 103 2342 (Toll Free)